

# Victaulic Outlet Fitting No. 26 and No. W26



No. 26 Outlet Fitting

## 1.0 PRODUCT DESCRIPTION

- Designed specifically for any application where a one-piece manufactured header or manifold is needed to serve as a central connection for distributing a fluid supply in a piping system.
- All-in-one assembly reduces installation and handling.
- Used in conjunction with Victaulic grooved end products.
- Victaulic Outlet Fittings are supplied with roll grooved ends:
  - No. 26: Up to 12"/DN300 – Original Groove System (OGS) (Traditional Victaulic groove).
  - No. W26: 14 – 60"/DN350 – DN1500 – Advanced Groove System (AGS).
- Pressure ratings conform to the rating of adjoining couplings.

## 2.0 CERTIFICATION/LISTINGS

Product designed and manufactured under Victaulic's Quality Management System, as certified in accordance with ISO 9001:2008.

ALWAYS REFER TO ANY NOTIFICATIONS AT THE END OF THIS DOCUMENT REGARDING PRODUCT INSTALLATION, MAINTENANCE OR SUPPORT.

System No.		Location	
Submitted By		Date	

Spec Section		Paragraph	
Approved		Date	

---

### 3.0 SPECIFICATIONS - MATERIAL

---

**Steel: (specify choice)**

- ¾ – 4"/DN20 – DN100: Carbon steel, standard weight, conforming to ASTM A53, Type F.
- 5 – 60"/DN125 – DN1500: Carbon steel, standard weight, conforming to ASTM A53, Type E, Grade B.
- Optional: Contact Victaulic with your requirements.

**Coupling Housing:**

- Up to 12"/DN300: Ductile iron conforming to ASTM A536, Grade 65-45-12.
- 14 – 60"/DN350 – DN1500: Ductile iron conforming to ASTM A536, Grade 65-45-12.

**Gasket:**

**Grade "E" EPDM**

E (Green stripe color code). Temperature range –30°F to +230°F/–34°C to +110°C. May be specified for hot water service within the specified temperature range plus a variety of dilute acids, oil-free air and many chemical services. NOT COMPATIBLE FOR USE WITH PETROLEUM SERVICES OR STEAM SERVICES.

**Fitting Coating: (specify choice)**

- Standard: Orange enamel.
- Optional: Please list your optional requirements in the box below, and contact Victaulic for availability and pricing.

**Valves: (specify choice)**

- 2 – 6"/DN50 – DN150: 10 Position Lever Handle – Zinc-plated carbon steel handle with zinc-plated carbon steel latch plate and zinc-plated carbon steel fasteners, infinitely variable and padlockable. Optionally available with tamper-resistant hardware.
- 8 – 24"/DN200 – DN600: Gear Operator, provided with handwheel.

**NOTE**

- Series W761 Vic-300™ MasterSeal™ Butterfly Valves are not available above 24"/DN600.

---

#### 4.0 DIMENSIONAL DETAILS FOR QUOTE

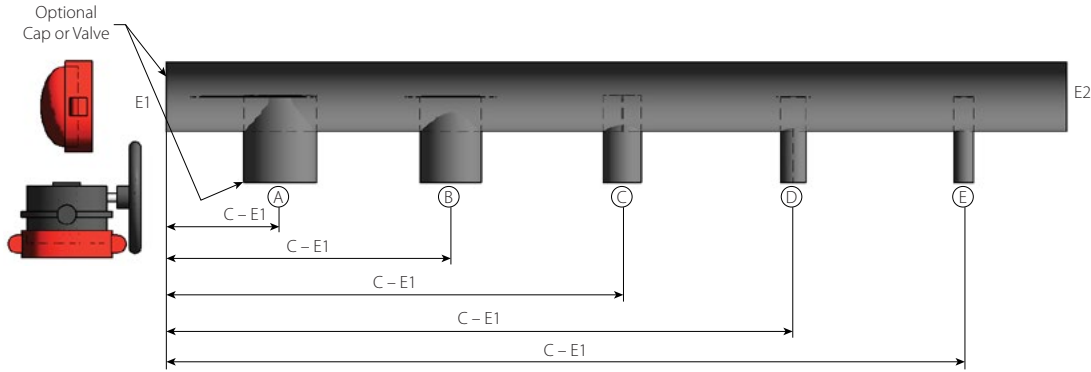
---

##### No. 26/W26 Outlet Fitting

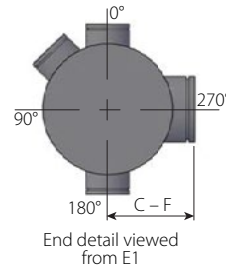
Please complete the form below and reference the available pricing to order your standard No. 26/W26 Outlet Fitting. For sizes and pricing not listed, please contact Victaulic's Engineering Products department at EP@victaulic.com.

Project Name:		Project Location:	
Contractor Name:			
Contractor Phone Number:		Contractor E-Mail Address:	
Submitted By:		Contractor Signature: (Dimensional Approval for Fabrication)	

4.0 DIMENSIONAL DETAILS FOR QUOTE (CONTINUED)



Header Main Run Size Details	
Header Tag ID	
Qty.	
Overall Length (L) <sup>1-2</sup>	
End One Size (E1)	
End Two Size (E2)	
Valve Included: Yes/No (Same Size As End Location: E1 or E2)	
If Yes, specify which valve	
Cap Location: E1 or E2	
Header Price	



**End Details:**  
Original Groove System – OGS  
Advanced Groove System – AGS

Instrumentation/vent taps are available in the following NPT sizes: 3/4", 1", 1 1/4", 1 1/2" and 2". To include on your No. 26/W26 Outlet Fitting, indicate in the chart below.

Outlet Details	A	B	C	D	E	F
Outlet Nominal Pipe Size						
Center to End (C-E1)						
Center to Face (C-F)						
Orientation (0-359°) As Viewed From End E1						
NPT Tap Size						
Valve Included: Yes/No (Same Size As Outlet)						
If Yes, specify which valve						
Cap Included: Yes/No						

<sup>1</sup> 2 – 24" No. 26/W26 Outlet Fittings can be provided with a maximum length of 21 feet.

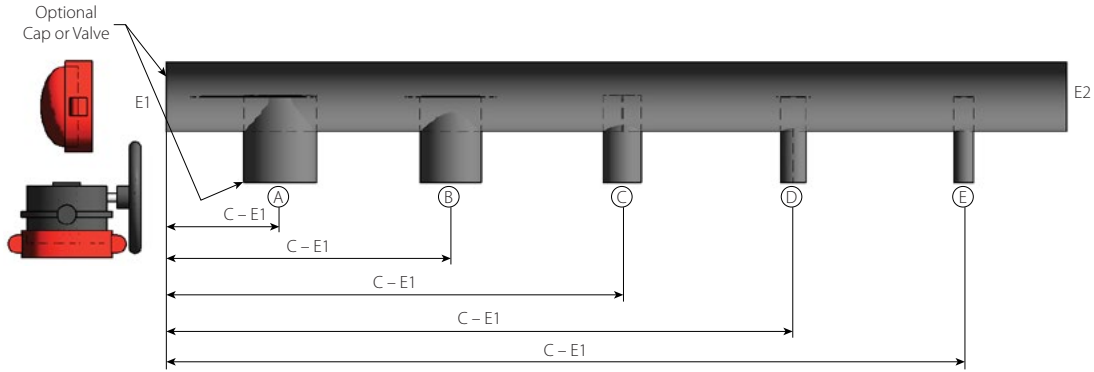
<sup>2</sup> 26" and larger No. W26 Outlet Fittings can be provided with a maximum length of 20 feet.

NOTES

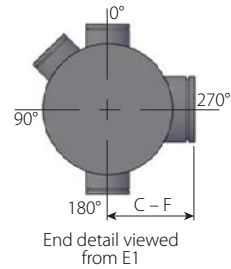
- The No. 26/W26 Outlet Fitting is available with an optional Style 107N/W07 Rigid Coupling and No. 60/W60 Cap. Refer to US General Price List for coupling and cap pricing. Coupling and cap will be sized as per the connection size as indicated on the No. 26/W26 Outlet Fitting.
- All Series 761/W761 Vic-300™ MasterSeal™ Butterfly Valves to be assembled with a Style 107N/W07 Rigid Coupling and a No. 60/W60 Cap.
- 2 – 6"/DN50 – DN150: Valve with 10 position lever handle. 8 – 24"/DN200 – DN600: Valve with gear operator. Series W761 Vic-300™ MasterSeal™ Butterfly Valves are not available above 24"/DN600.
- Any cap supplied on a Victaulic valve will include a 3/4" tap for pressure bleed.

Subtotal Price of Page	
------------------------	--

### 4.0 DIMENSIONAL DETAILS FOR QUOTE (CONTINUED)



Header Main Run Size Details	
Header Tag ID	
Qty.	
Overall Length (L) <sup>1-2</sup>	
End One Size (E1)	
End Two Size (E2)	
Valve Included: Yes/No (Same Size As End Location: E1 or E2)	
If Yes, specify which valve	
Cap Location: E1 or E2	
Header Price	



**End Details:**  
Original Groove System – OGS  
Advanced Groove System – AGS

Instrumentation/vent taps are available in the following NPT sizes: 3/4", 1", 1 1/4", 1 1/2" and 2". To include on your No. 26/W26 Outlet Fitting, indicate in the chart below.

Outlet Details	A	B	C	D	E	F
Outlet Nominal Pipe Size						
Center to End (C-E1)						
Center to Face (C-F)						
Orientation (0-359°) As Viewed From End E1						
NPT Tap Size						
Valve Included: Yes/No (Same Size As Outlet)						
If Yes, specify which valve						
Cap Included: Yes/No						

<sup>1</sup> 2 – 24" No. 26/W26 Outlet Fittings can be provided with a maximum length of 21 feet.

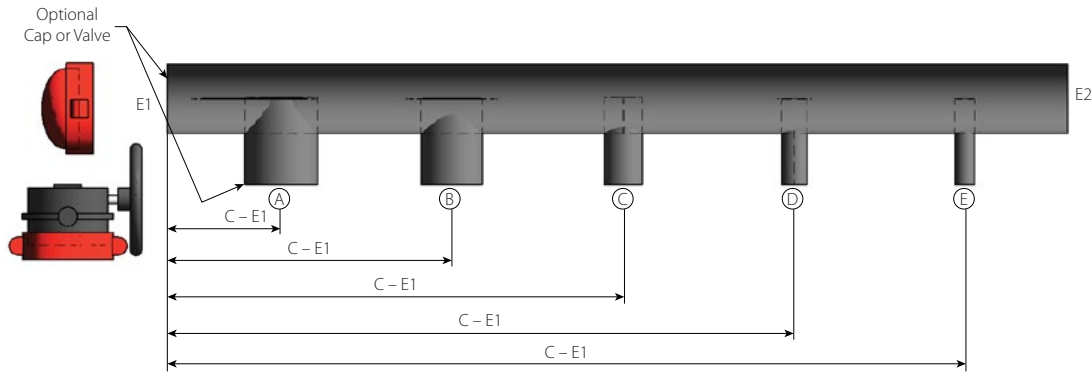
<sup>2</sup> 26" and larger No. W26 Outlet Fittings can be provided with a maximum length of 20 feet.

**NOTES**

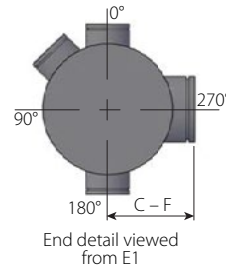
- The No. 26/W26 Outlet Fitting is available with an optional Style 107N/W07 Rigid Coupling and No. 60/W60 Cap. Refer to US General Price List for coupling and cap pricing. Coupling and cap will be sized as per the connection size as indicated on the No. 26/W26 Outlet Fitting.
- All Series 761/W761 Vic-300™ MasterSeal™ Butterfly Valves to be assembled with a Style 107N/W07 Rigid Coupling and a No. 60/W60 Cap.
- 2 – 6"/DN50 – DN150: Valve with 10 position lever handle. 8 – 24"/DN200 – DN600: Valve with gear operator. Series W761 Vic-300™ MasterSeal™ Butterfly Valves are not available above 24"/DN600.
- Any cap supplied on a Victaulic valve will include a 3/4" tap for pressure bleed.

<b>Subtotal Price of Page</b>	
-------------------------------	--

4.0 DIMENSIONAL DETAILS FOR QUOTE (CONTINUED)



Header Main Run Size Details	
Header Tag ID	
Qty.	
Overall Length (L) <sup>1-2</sup>	
End One Size (E1)	
End Two Size (E2)	
Valve Included: Yes/No (Same Size As End Location: E1 or E2)	
If Yes, specify which valve	
Cap Location: E1 or E2	
Header Price	



**End Details:**  
Original Groove System – OGS  
Advanced Groove System – AGS

Instrumentation/vent taps are available in the following NPT sizes: 3/4", 1", 1 1/4", 1 1/2" and 2". To include on your No. 26/W26 Outlet Fitting, indicate in the chart below.

Outlet Details	A	B	C	D	E	F
Outlet Nominal Pipe Size						
Center to End (C-E1)						
Center to Face (C-F)						
Orientation (0-359°) As Viewed From End E1						
NPT Tap Size						
Valve Included: Yes/No (Same Size As Outlet)						
If Yes, specify which valve						
Cap Included: Yes/No						

<sup>1</sup> 2 – 24" No. 26/W26 Outlet Fittings can be provided with a maximum length of 21 feet.

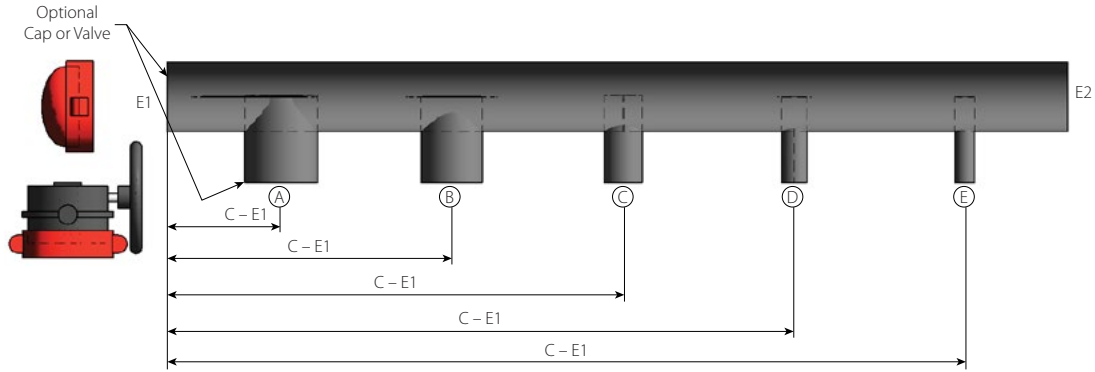
<sup>2</sup> 26" and larger No. W26 Outlet Fittings can be provided with a maximum length of 20 feet.

NOTES

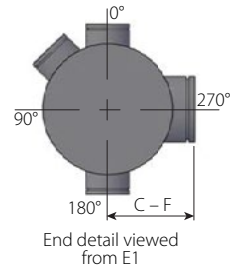
- The No. 26/W26 Outlet Fitting is available with an optional Style 107N/W07 Rigid Coupling and No. 60/W60 Cap. Refer to US General Price List for coupling and cap pricing. Coupling and cap will be sized as per the connection size as indicated on the No. 26/W26 Outlet Fitting.
- All Series 761/W761 Vic-300™ MasterSeal™ Butterfly Valves to be assembled with a Style 107N/W07 Rigid Coupling and a No. 60/W60 Cap.
- 2 – 6"/DN50 – DN150: Valve with 10 position lever handle. 8 – 24"/DN200 – DN600: Valve with gear operator. Series W761 Vic-300™ MasterSeal™ Butterfly Valves are not available above 24"/DN600.
- Any cap supplied on a Victaulic valve will include a 3/4" tap for pressure bleed.

Subtotal Price of Page	
------------------------	--

4.0 DIMENSIONAL DETAILS FOR QUOTE (CONTINUED)



Header Main Run Size Details	
Header Tag ID	
Qty.	
Overall Length (L) <sup>1-2</sup>	
End One Size (E1)	
End Two Size (E2)	
Valve Included: Yes/No (Same Size As End Location: E1 or E2)	
If Yes, specify which valve	
Cap Location: E1 or E2	
Header Price	



**End Details:**  
Original Groove System – OGS  
Advanced Groove System – AGS

Instrumentation/vent taps are available in the following NPT sizes: 3/4", 1", 1 1/4", 1 1/2" and 2". To include on your No. 26/W26 Outlet Fitting, indicate in the chart below.

Outlet Details	A	B	C	D	E	F
Outlet Nominal Pipe Size						
Center to End (C-E1)						
Center to Face (C-F)						
Orientation (0-359°) As Viewed From End E1						
NPT Tap Size						
Valve Included: Yes/No (Same Size As Outlet)						
If Yes, specify which valve						
Cap Included: Yes/No						

<sup>1</sup> 2 – 24" No. 26/W26 Outlet Fittings can be provided with a maximum length of 21 feet.

<sup>2</sup> 26" and larger No. W26 Outlet Fittings can be provided with a maximum length of 20 feet.

NOTES

- The No. 26/W26 Outlet Fitting is available with an optional Style 107N/W07 Rigid Coupling and No. 60/W60 Cap. Refer to US General Price List for coupling and cap pricing. Coupling and cap will be sized as per the connection size as indicated on the No. 26/W26 Outlet Fitting.
- All Series 761/W761 Vic-300™ MasterSeal™ Butterfly Valves to be assembled with a Style 107N/W07 Rigid Coupling and a No. 60/W60 Cap.
- 2 – 6"/DN50 – DN150: Valve with 10 position lever handle. 8 – 24"/DN200 – DN600: Valve with gear operator. Series W761 Vic-300™ MasterSeal™ Butterfly Valves are not available above 24"/DN600.
- Any cap supplied on a Victaulic valve will include a 3/4" tap for pressure bleed.

Subtotal Price of Page	
------------------------	--

#### 4.1 DIMENSIONAL DETAILS FOR QUOTE

---

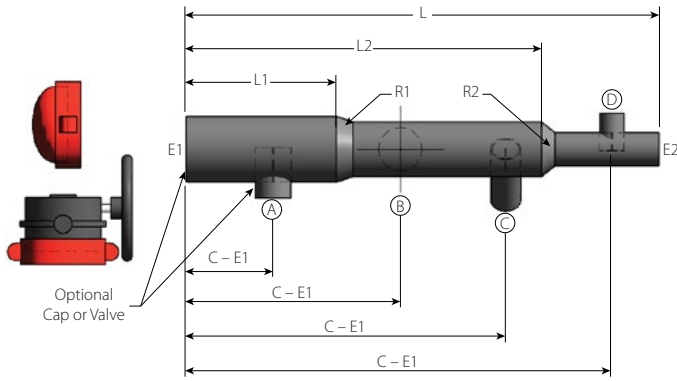
##### No. 57/W57 Concentric Reducing Outlet Fitting

Please complete the form below and reference the available pricing to order your standard No. 57/W57 Concentric Reducing Outlet Fitting. For sizes and pricing not listed, please contact Victaulic's Engineering Products department at EP@victaulic.com.

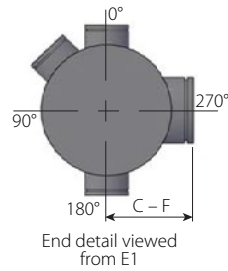
Project Name:		Project Location:	
Contractor Name:			
Contractor Phone Number:		Contractor E-Mail Address:	
Submitted By:		Contractor Signature: (Dimensional Approval for Fabrication)	



4.1 DIMENSIONAL DETAILS FOR QUOTE (CONTINUED)



Header Main Run Size Details	
Header Tag ID	Reductions
Qty.	Size (R1)
Overall Length (L) <sup>1-2</sup>	Length (L1)
End One Size (E1)	Size (R2)
End Two Size (E2)	Length (L2)
Valve Included: Yes/No (Same Size As End Location: E1 or E2)	Size (R3)
If Yes, specify which valve	Length (L3)
Cap Location: E1 or E2	
Header Price	



End Details:

Original Groove System – OGS  
Advanced Groove System – AGS

Instrumentation/vent taps are available in the following NPT sizes: 3/4", 1", 1 1/4", 1 1/2" and 2". To include on your No. 57/W57 Concentric Reducing Outlet Fitting, indicate in the chart below.

Outlet Details	A	B	C	D	E	F
Outlet Nominal Pipe Size						
Center to End (C-E1)						
Center to Face (C-F)						
Orientation (0-359°) As Viewed From End E1						
NPT Tap Size						
Valve Included: Yes/No (Same Size As Outlet)						
If Yes, specify which valve						
Cap Included: Yes/No						

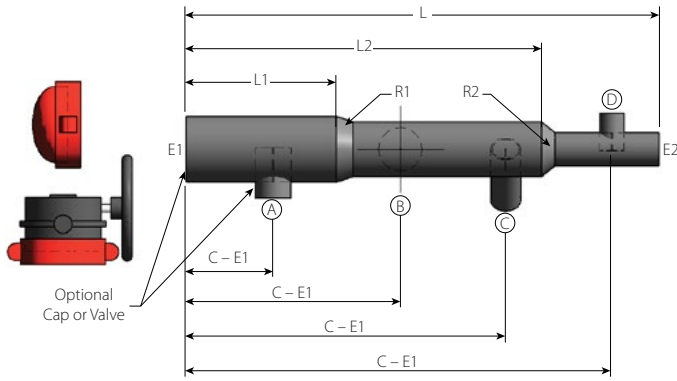
<sup>1</sup> 2 – 24" No. 57/W57 Concentric Reducing Outlet Fittings can be provided with a maximum length of 21 feet.  
<sup>2</sup> 26" and larger No. W57 Concentric Reducing Outlet Fittings can be provided with a maximum length of 20 feet.

NOTES

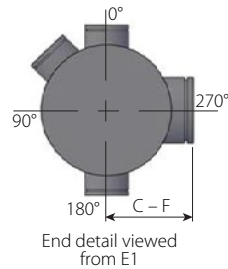
- The No. 57/W57 Concentric Reducing Outlet Fitting is available with an optional Style 107N/W07 Rigid Coupling and No. 60/W60 Cap. Refer to US General Price List for coupling and cap pricing. Coupling and cap will be sized as per the connection size as indicated on the No. 57/W57 Concentric Reducing Outlet Fitting.
- All Series 761/W761 Vic-300™ MasterSeal™ Butterfly Valves to be assembled with a Style 107N/W07 Rigid Coupling and a No. 60/W60 Cap.
- 2 – 6"/DN50 – DN150: Valve with 10 position lever handle. 8 – 24"/DN200 – DN600: Valve with gear operator. Series W761 Vic-300™ MasterSeal™ Butterfly Valves are not available above 24"/DN600.
- Any cap supplied on a Victaulic valve will include a 3/4" tap for pressure bleed.

Subtotal Price of Page	
------------------------	--

4.1 DIMENSIONAL DETAILS FOR QUOTE (CONTINUED)



Header Main Run Size Details	
Header Tag ID	Reductions
Qty.	Size (R1)
Overall Length (L) <sup>1-2</sup>	Length (L1)
End One Size (E1)	Size (R2)
End Two Size (E2)	Length (L2)
Valve Included: Yes/No (Same Size As End Location: E1 or E2)	Size (R3)
If Yes, specify which valve	Length (L3)
Cap Location: E1 or E2	
Header Price	



End Details:

Original Groove System – OGS  
Advanced Groove System – AGS

Instrumentation/vent taps are available in the following NPT sizes: 3/4", 1", 1 1/4", 1 1/2" and 2". To include on your No. 57/W57 Concentric Reducing Outlet Fitting, indicate in the chart below.

Outlet Details	A	B	C	D	E	F
Outlet Nominal Pipe Size						
Center to End (C-E1)						
Center to Face (C-F)						
Orientation (0-359°) As Viewed From End E1						
NPT Tap Size						
Valve Included: Yes/No (Same Size As Outlet)						
If Yes, specify which valve						
Cap Included: Yes/No						

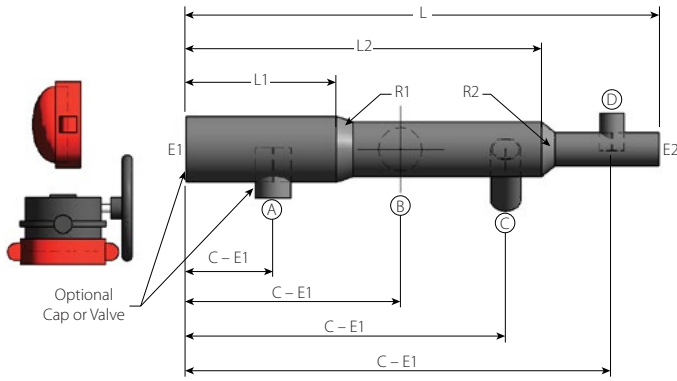
<sup>1</sup> 2 – 24" No. 57/W57 Concentric Reducing Outlet Fittings can be provided with a maximum length of 21 feet.  
<sup>2</sup> 26" and larger No. W57 Concentric Reducing Outlet Fittings can be provided with a maximum length of 20 feet.

NOTES

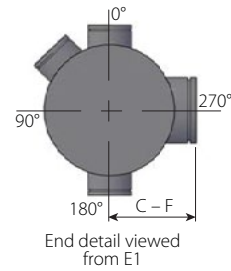
- The No. 57/W57 Concentric Reducing Outlet Fitting is available with an optional Style 107N/W07 Rigid Coupling and No. 60/W60 Cap. Refer to US General Price List for coupling and cap pricing. Coupling and cap will be sized as per the connection size as indicated on the No. 57/W57 Concentric Reducing Outlet Fitting.
- All Series 761/W761 Vic-300™ MasterSeal™ Butterfly Valves to be assembled with a Style 107N/W07 Rigid Coupling and a No. 60/W60 Cap.
- 2 – 6"/DN50 – DN150: Valve with 10 position lever handle. 8 – 24"/DN200 – DN600: Valve with gear operator. Series W761 Vic-300™ MasterSeal™ Butterfly Valves are not available above 24"/DN600.
- Any cap supplied on a Victaulic valve will include a 3/4" tap for pressure bleed.

Subtotal Price of Page	
------------------------	--

4.1 DIMENSIONAL DETAILS FOR QUOTE (CONTINUED)



Header Main Run Size Details	
Header Tag ID	Reductions
Qty.	Size (R1)
Overall Length (L) <sup>1-2</sup>	Length (L1)
End One Size (E1)	Size (R2)
End Two Size (E2)	Length (L2)
Valve Included: Yes/No (Same Size As End Location: E1 or E2)	Size (R3)
If Yes, specify which valve	Length (L3)
Cap Location: E1 or E2	
Header Price	



End Details:

Original Groove System – OGS  
Advanced Groove System – AGS

Instrumentation/vent taps are available in the following NPT sizes: 3/4", 1", 1 1/4", 1 1/2" and 2". To include on your No. 57/W57 Concentric Reducing Outlet Fitting, indicate in the chart below.

Outlet Details	A	B	C	D	E	F
Outlet Nominal Pipe Size						
Center to End (C-E1)						
Center to Face (C-F)						
Orientation (0-359°) As Viewed From End E1						
NPT Tap Size						
Valve Included: Yes/No (Same Size As Outlet)						
If Yes, specify which valve						
Cap Included: Yes/No						

<sup>1</sup> 2 – 24" No. 57/W57 Concentric Reducing Outlet Fittings can be provided with a maximum length of 21 feet.

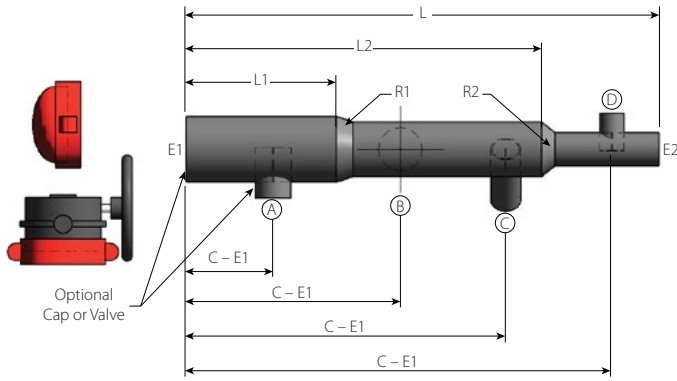
<sup>2</sup> 26" and larger No. W57 Concentric Reducing Outlet Fittings can be provided with a maximum length of 20 feet.

NOTES

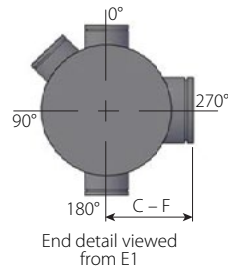
- The No. 57/W57 Concentric Reducing Outlet Fitting is available with an optional Style 107N/W07 Rigid Coupling and No. 60/W60 Cap. Refer to US General Price List for coupling and cap pricing. Coupling and cap will be sized as per the connection size as indicated on the No. 57/W57 Concentric Reducing Outlet Fitting.
- All Series 761/W761 Vic-300™ MasterSeal™ Butterfly Valves to be assembled with a Style 107N/W07 Rigid Coupling and a No. 60/W60 Cap.
- 2 – 6"/DN50 – DN150: Valve with 10 position lever handle. 8 – 24"/DN200 – DN600: Valve with gear operator. Series W761 Vic-300™ MasterSeal™ Butterfly Valves are not available above 24"/DN600.
- Any cap supplied on a Victaulic valve will include a 3/4" tap for pressure bleed.

Subtotal Price of Page	
------------------------	--

4.1 DIMENSIONAL DETAILS FOR QUOTE (CONTINUED)



Header Main Run Size Details	
Header Tag ID	Reductions
Qty.	Size (R1)
Overall Length (L) <sup>1-2</sup>	Length (L1)
End One Size (E1)	Size (R2)
End Two Size (E2)	Length (L2)
Valve Included: Yes/No (Same Size As End Location: E1 or E2)	Size (R3)
If Yes, specify which valve	Length (L3)
Cap Location: E1 or E2	
Header Price	



End Details:

Original Groove System – OGS  
Advanced Groove System – AGS

Instrumentation/vent taps are available in the following NPT sizes: 3/4", 1", 1 1/4", 1 1/2" and 2". To include on your No. 57/W57 Concentric Reducing Outlet Fitting, indicate in the chart below.

Outlet Details	A	B	C	D	E	F
Outlet Nominal Pipe Size						
Center to End (C-E1)						
Center to Face (C-F)						
Orientation (0-359°) As Viewed From End E1						
NPT Tap Size						
Valve Included: Yes/No (Same Size As Outlet)						
If Yes, specify which valve						
Cap Included: Yes/No						

<sup>1</sup> 2 – 24" No. 57/W57 Concentric Reducing Outlet Fittings can be provided with a maximum length of 21 feet.  
<sup>2</sup> 26" and larger No. W57 Concentric Reducing Outlet Fittings can be provided with a maximum length of 20 feet.

NOTES

- The No. 57/W57 Concentric Reducing Outlet Fitting is available with an optional Style 107N/W07 Rigid Coupling and No. 60/W60 Cap. Refer to US General Price List for coupling and cap pricing. Coupling and cap will be sized as per the connection size as indicated on the No. 57/W57 Concentric Reducing Outlet Fitting.
- All Series 761/W761 Vic-300™ MasterSeal™ Butterfly Valves to be assembled with a Style 107N/W07 Rigid Coupling and a No. 60/W60 Cap.
- 2 – 6"/DN50 – DN150: Valve with 10 position lever handle. 8 – 24"/DN200 – DN600: Valve with gear operator. Series W761 Vic-300™ MasterSeal™ Butterfly Valves are not available above 24"/DN600.
- Any cap supplied on a Victaulic valve will include a 3/4" tap for pressure bleed.

Subtotal Price of Page	
------------------------	--

---

## 4.2 DIMENSIONAL DETAILS FOR QUOTE

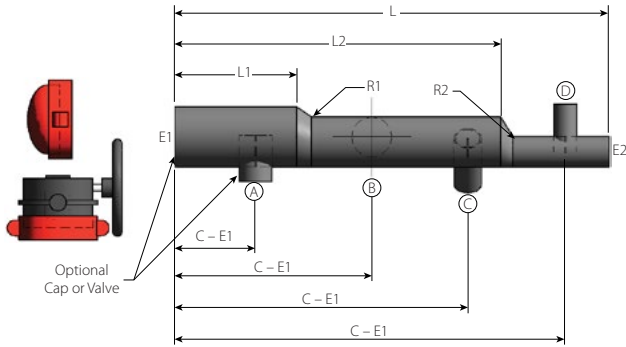
---

### No. 58/W58 Eccentric Reducing Outlet Fitting

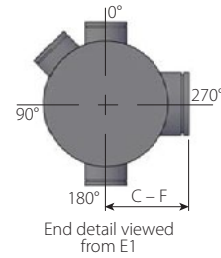
Please complete the form below and reference the available pricing to order your standard No. 58/W58 Eccentric Reducing Outlet Fitting. For sizes and pricing not listed, please contact Victaulic's Engineering Products department at EP@victaulic.com.

Project Name:		Project Location:	
Contractor Name:			
Contractor Phone Number:		Contractor E-Mail Address:	
Submitted By:		Contractor Signature: (Dimensional Approval for Fabrication)	

4.2 DIMENSIONAL DETAILS FOR QUOTE (CONTINUED)



Header Main Run Size Details			
Header Tag ID		Reductions	
Qty.		Size (R1)	
Overall Length (L) <sup>1-2</sup>		Length (L1)	
End One Size (E1)		Size (R2)	
End Two Size (E2)		Length (L2)	
Valve Included: Yes/No (Same Size As End Location: E1 or E2)		Size (R3)	
If Yes, specify which valve		Length (L3)	
Cap Location			
Header Price			



**End Details:**

Original Groove System – OGS  
Advanced Groove System – AGS

Instrumentation/vent taps are available in the following NPT sizes: 3/4", 1", 1 1/4", 1 1/2" and 2". To include on your No. 58/W58 Eccentric Reducing Outlet Fitting, indicate in the chart below.

Outlet Details	A	B	C	D	E	F
Outlet Nominal Pipe Size						
Center to End (C-E1)						
Center to Face (C-F)						
Orientation (0-359°) As Viewed From End E1						
NPT Tap Size						
Valve Included: Yes/No (Same Size As Outlet)						
If Yes, specify which valve						
Cap Included: Yes/No						
Reducer Details	R1	R2	R3	R4	R5	R6
Orientation (0-359°) of Flat Side of Eccentric Reducer As Viewed From End E1						

<sup>1</sup> 2 – 24" No. 58/W58 Eccentric Reducing Outlet Fittings can be provided with a maximum length of 21 feet.

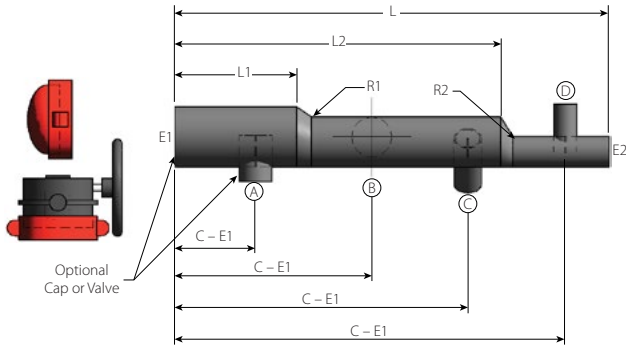
<sup>2</sup> 26" and larger No. W58 Eccentric Reducing Outlet Fittings can be provided with a maximum length of 20 feet.

**NOTES**

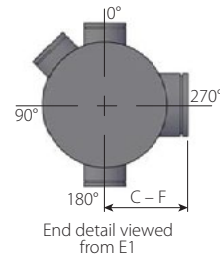
- The No. 58/W58 Eccentric Reducing Outlet Fitting is available with an optional Style 107N/W07 Rigid Coupling and No. 60/W60 Cap. Refer to US General Price List for coupling and cap pricing. Coupling and cap will be sized as per the connection size as indicated on the No. 58/W58 Eccentric Reducing Outlet Fitting.
- All Series 761/W761 Vic-300™ MasterSeal™ Butterfly Valves to be assembled with a Style 107N/W07 Rigid Coupling and a No. 60/W60 Cap.
- 2 – 6"/DN50 – DN150: Valve with 10 position lever handle. 8 – 24"/DN200 – DN600: Valve with gear operator. Series W761 Vic-300™ MasterSeal™ Butterfly Valves are not available above 24"/DN600.
- Any cap supplied on a Victaulic valve will include a 3/4" tap for pressure bleed.

<b>Subtotal Price of Page</b>	
-------------------------------	--

## 4.2 DIMENSIONAL DETAILS FOR QUOTE (CONTINUED)



Header Main Run Size Details			
Header Tag ID		Reductions	
Qty.		Size (R1)	
Overall Length (L) <sup>1-2</sup>		Length (L1)	
End One Size (E1)		Size (R2)	
End Two Size (E2)		Length (L2)	
Valve Included: Yes/No (Same Size As End Location: E1 or E2)		Size (R3)	
If Yes, specify which valve		Length (L3)	
Cap Location			
Header Price			



**End Details:**

Original Groove System – OGS  
Advanced Groove System – AGS

Instrumentation/vent taps are available in the following NPT sizes: 3/4", 1", 1 1/4", 1 1/2" and 2". To include on your No. 58/W58 Eccentric Reducing Outlet Fitting, indicate in the chart below.

Outlet Details	A	B	C	D	E	F
Outlet Nominal Pipe Size						
Center to End (C-E1)						
Center to Face (C-F)						
Orientation (0-359°) As Viewed From End E1						
NPT Tap Size						
Valve Included: Yes/No (Same Size As Outlet)						
If Yes, specify which valve						
Cap Included: Yes/No						
Reducer Details	R1	R2	R3	R4	R5	R6
Orientation (0-359°) of Flat Side of Eccentric Reducer As Viewed From End E1						

<sup>1</sup> 2 – 24" No. 58/W58 Eccentric Reducing Outlet Fittings can be provided with a maximum length of 21 feet.

<sup>2</sup> 26" and larger No. W58 Eccentric Reducing Outlet Fittings can be provided with a maximum length of 20 feet.

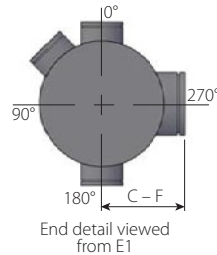
**NOTES**

- The No. 58/W58 Eccentric Reducing Outlet Fitting is available with an optional Style 107N/W07 Rigid Coupling and No. 60/W60 Cap. Refer to US General Price List for coupling and cap pricing. Coupling and cap will be sized as per the connection size as indicated on the No. 58/W58 Eccentric Reducing Outlet Fitting.
- All Series 761/W761 Vic-300™ MasterSeal™ Butterfly Valves to be assembled with a Style 107N/W07 Rigid Coupling and a No. 60/W60 Cap.
- 2 – 6"/DN50 – DN150: Valve with 10 position lever handle. 8 – 24"/DN200 – DN600: Valve with gear operator. Series W761 Vic-300™ MasterSeal™ Butterfly Valves are not available above 24"/DN600.
- Any cap supplied on a Victaulic valve will include a 3/4" tap for pressure bleed.

<b>Subtotal Price of Page</b>	
-------------------------------	--

4.2 DIMENSIONAL DETAILS FOR QUOTE (CONTINUED)

Header Main Run Size Details			
Header Tag ID		Reductions	
Qty.		Size (R1)	
Overall Length (L) <sup>1-2</sup>		Length (L1)	
End One Size (E1)		Size (R2)	
End Two Size (E2)		Length (L2)	
Valve Included: Yes/No (Same Size As End Location: E1 or E2)		Size (R3)	
If Yes, specify which valve		Length (L3)	
Cap Location			
Header Price			



**End Details:**

Original Groove System – OGS  
Advanced Groove System – AGS

Instrumentation/vent taps are available in the following NPT sizes: 3/4", 1", 1 1/4", 1 1/2" and 2". To include on your No. 58/W58 Eccentric Reducing Outlet Fitting, indicate in the chart below.

Outlet Details	A	B	C	D	E	F
Outlet Nominal Pipe Size						
Center to End (C-E1)						
Center to Face (C-F)						
Orientation (0-359°) As Viewed From End E1						
NPT Tap Size						
Valve Included: Yes/No (Same Size As Outlet)						
If Yes, specify which valve						
Cap Included: Yes/No						
Reducer Details	R1	R2	R3	R4	R5	R6
Orientation (0-359°) of Flat Side of Eccentric Reducer As Viewed From End E1						

<sup>1</sup> 2 – 24" No. 58/W58 Eccentric Reducing Outlet Fittings can be provided with a maximum length of 21 feet.

<sup>2</sup> 26" and larger No. W58 Eccentric Reducing Outlet Fittings can be provided with a maximum length of 20 feet.

**NOTES**

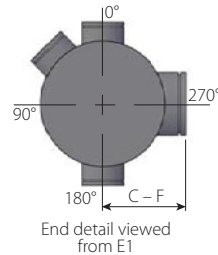
- The No. 58/W58 Eccentric Reducing Outlet Fitting is available with an optional Style 107N/W07 Rigid Coupling and No. 60/W60 Cap. Refer to US General Price List for coupling and cap pricing. Coupling and cap will be sized as per the connection size as indicated on the No. 58/W58 Eccentric Reducing Outlet Fitting.
- All Series 761/W761 Vic-300™ MasterSeal™ Butterfly Valves to be assembled with a Style 107N/W07 Rigid Coupling and a No. 60/W60 Cap.
- 2 – 6"/DN50 – DN150: Valve with 10 position lever handle. 8 – 24"/DN200 – DN600: Valve with gear operator. Series W761 Vic-300™ MasterSeal™ Butterfly Valves are not available above 24"/DN600.
- Any cap supplied on a Victaulic valve will include a 3/4" tap for pressure bleed.

<b>Subtotal Price of Page</b>	
-------------------------------	--



4.2 DIMENSIONAL DETAILS FOR QUOTE (CONTINUED)

Header Main Run Size Details			
Header Tag ID		Reductions	
Qty.		Size (R1)	
Overall Length (L) <sup>1-2</sup>		Length (L1)	
End One Size (E1)		Size (R2)	
End Two Size (E2)		Length (L2)	
Valve Included: Yes/No (Same Size As End Location: E1 or E2)		Size (R3)	
If Yes, specify which valve		Length (L3)	
Cap Location			
Header Price			



**End Details:**

Original Groove System – OGS  
Advanced Groove System – AGS

Instrumentation/vent taps are available in the following NPT sizes: 3/4", 1", 1 1/4", 1 1/2" and 2". To include on your No. 58/W58 Eccentric Reducing Outlet Fitting, indicate in the chart below.

Outlet Details	A	B	C	D	E	F
Outlet Nominal Pipe Size						
Center to End (C-E1)						
Center to Face (C-F)						
Orientation (0-359°) As Viewed From End E1						
NPT Tap Size						
Valve Included: Yes/No (Same Size As Outlet)						
If Yes, specify which valve						
Cap Included: Yes/No						
Reducer Details	R1	R2	R3	R4	R5	R6
Orientation (0-359°) of Flat Side of Eccentric Reducer As Viewed From End E1						

<sup>1</sup> 2 – 24" No. 58/W58 Eccentric Reducing Outlet Fittings can be provided with a maximum length of 21 feet.

<sup>2</sup> 26" and larger No. W58 Eccentric Reducing Outlet Fittings can be provided with a maximum length of 20 feet.

**NOTES**

- The No. 58/W58 Eccentric Reducing Outlet Fitting is available with an optional Style 107N/W07 Rigid Coupling and No. 60/W60 Cap. Refer to US General Price List for coupling and cap pricing. Coupling and cap will be sized as per the connection size as indicated on the No. 58/W58 Eccentric Reducing Outlet Fitting.
- All Series 761/W761 Vic-300™ MasterSeal™ Butterfly Valves to be assembled with a Style 107N/W07 Rigid Coupling and a No. 60/W60 Cap.
- 2 – 6"/DN50 – DN150: Valve with 10 position lever handle. 8 – 24"/DN200 – DN600: Valve with gear operator. Series W761 Vic-300™ MasterSeal™ Butterfly Valves are not available above 24"/DN600.
- Any cap supplied on a Victaulic valve will include a 3/4" tap for pressure bleed.

<b>Subtotal Price of Page</b>	
-------------------------------	--

## 5.0 PERFORMANCE

The selected coupling, size, wall thickness and material will determine the pressure performance of the No. 26/W26 Outlet Fitting.

## 6.0 NOTIFICATIONS

### ! WARNING



- Read and understand all instructions before attempting to install, remove, adjust, or maintain any Victaulic piping products.
- Depressurize and drain the piping system before attempting to install, remove, adjust, or maintain any Victaulic piping products.
- Wear safety glasses, hardhat, and foot protection.

Failure to follow these instructions could result in death or serious personal injury and property damage.

## 7.0 REFERENCE MATERIALS

[29.01: Victaulic Terms and Conditions/Warranty](#)

[I-100: Field Installation Handbook](#)

### User Responsibility for Product Selection and Suitability

Each user bears final responsibility for making a determination as to the suitability of Victaulic products for a particular end-use application, in accordance with industry standards and project specifications, and the applicable building codes and related regulations as well as Victaulic performance, maintenance, safety, and warning instructions. Nothing in this or any other document, nor any verbal recommendation, advice, or opinion from any Victaulic employee, shall be deemed to alter, vary, supersede, or waive any provision of Victaulic Company's standard conditions of sale, installation guide, or this disclaimer.

### Intellectual Property Rights

No statement contained herein concerning a possible or suggested use of any material, product, service, or design is intended, or should be construed, to grant any license under any patent or other intellectual property right of Victaulic or any of its subsidiaries or affiliates covering such use or design, or as a recommendation for the use of such material, product, service, or design in the infringement of any patent or other intellectual property right. The terms "Patented" or "Patent Pending" refer to design or utility patents or patent applications for articles and/or methods of use in the United States and/or other countries.

### Note

This product shall be manufactured by Victaulic or to Victaulic specifications. All products to be installed in accordance with current Victaulic installation/assembly instructions. Victaulic reserves the right to change product specifications, designs and standard equipment without notice and without incurring obligations.

### Installation

Reference should always be made to the Victaulic installation handbook or installation instructions of the product you are installing. Handbooks are included with each shipment of Victaulic products, providing complete installation and assembly data, and are available in PDF format on our website at [www.victaulic.com](http://www.victaulic.com).

### Warranty

Refer to the Warranty section of the current Price List or contact Victaulic for details.

### Trademarks

*Victaulic* and all other Victaulic marks are the trademarks or registered trademarks of Victaulic Company, and/or its affiliated entities, in the U.S. and/or other countries.