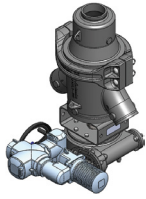


# Diverter Valve

## Series 725



Series 725  
with electric actuator



Series 725  
with manual actuator



Series 725  
with pneumatic actuator

### 1.0 PRODUCT DESCRIPTION

#### Available Sizes

- 6"/150 mm

#### Pressure Rating/Maximum Working Pressure

- Up to 1000 psi/6900 kPa

#### Function

- 3-way diverter valve

#### Pipe Preparation

- Victaulic Original Groove System (OGS)

#### Application

- Intended for use in Paste Backfill mining operations
- Exclusively for use with pipe and Victaulic products featuring ends formed with the Victaulic OGS groove profile

#### Actuation Options

- Manual actuator, hand wheel with limit stop and standard ISO FA14 mounting flange
- Manual actuator with chain wheel
- Multi-turn Electric actuator
- Pneumatic actuator
- SO 5211, FA30 mounting flange, no operator

### 2.0 CERTIFICATION/LISTINGS

Product designed and manufactured under the Victaulic Quality Management System, as certified by LPCB in accordance with ISO-9001:2008.

**ALWAYS REFER TO ANY NOTIFICATIONS AT THE END OF THIS DOCUMENT REGARDING PRODUCT INSTALLATION, MAINTENANCE OR SUPPORT.**

System No.		Location	
Submitted By		Date	

Spec Section		Paragraph	
Approved		Date	

### 3.0 SPECIFICATIONS – MATERIAL

**Body/Bonnet Coupling and Body:** Ductile iron conforming to ASTM A536, grade 65-45-12.

**Plug:** Ductile iron conforming to ASTM A-536, grade 65-45-12. PPS coating standard.

**Body Seal:** PTFE

**Gasket and O-Rings: (specify choice<sup>1</sup>)**

**Grade “T” Nitrile**

Nitrile (Orange color code). Temperature range  $-20^{\circ}\text{F}$  to  $+180^{\circ}\text{F}$ / $-29^{\circ}\text{C}$  to  $+82^{\circ}\text{C}$ . Recommended for petroleum products, air with oil vapors, vegetable and mineral oils within the specified temperature range; except hot, dry air over  $+140^{\circ}\text{F}$ / $+60^{\circ}\text{C}$  and water over  $+150^{\circ}\text{F}$ / $+66^{\circ}\text{C}$ . NOT RECOMMENDED FOR HOT WATER SERVICES.

<sup>1</sup> Services listed are General Service Guidelines only. It should be noted that there are services for which these gaskets are not compatible. Reference should always be made to the latest [Victaulic Gasket Selection Guide](#) for specific gasket service guidelines and for a listing of services which are not compatible.

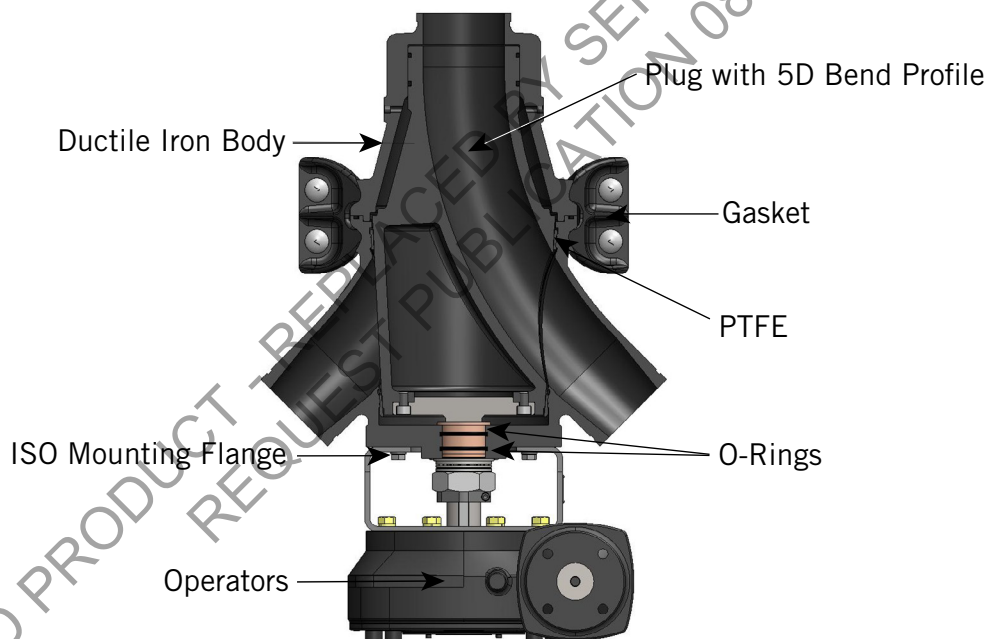
**Drive Stem:** 17-4 stainless steel.

**Bushing:** Bronze conforming to C-932.

**Mounting Bracket:** Structural steel conforming to ASTM A-500, Grade B.

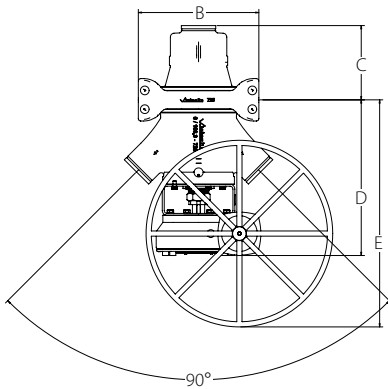
**Manual Actuator:** Gear operator contains internal stops to prevent damage to the valve. Manual actuator with chainwheel option available.

**Optional:** Electric Actuator, Pneumatic Actuator, No Actuator

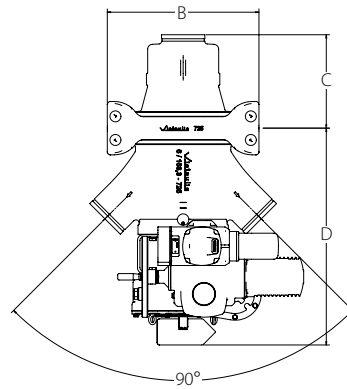
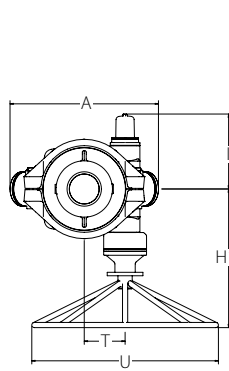


## 4.0 DIMENSIONS

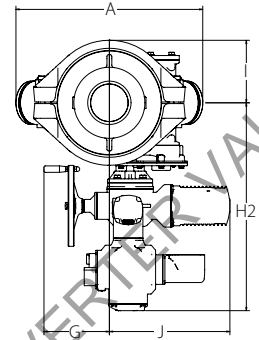
### Series 725



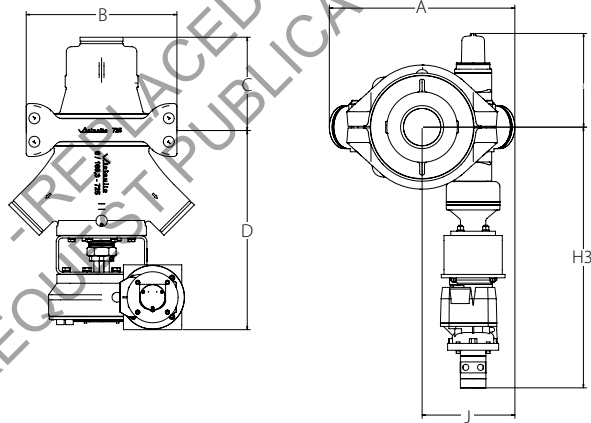
Series 725 with Manual Actuator



Series 725 with Electric Actuator



Nominal Size	Actual Outside Diameter	Dimensions														Weight		
		A	B	C	D Manual	D Electric	E Manual	E Electric	G	H <sub>1</sub> Manual	H <sub>2</sub> Electric	I Manual	I Electric	J Electric	T Manual	U	Approximate (Each)	
		inches	inches	inches	inches	inches	inches	inches	inches	inches	inches	inches	inches	inches	inches	inches	inches	Electric. Actuator
6	6.625	28.63	23.25	14.38	30.13	33.25	43.88	10.13	26.75	31.88	14.50	9.63	18.50	7.88	36	1250.0	980.0	
150	168.3	727.3	590	363	762	844	1112	255	679	808	367	245	469	200	914	567.0	444.5	



Series 725 with Pneumatic Actuator

Nominal Size	Actual Outside Diameter	Dimensions							Weight		
		A	B	C	D Pneumatic	H <sub>3</sub> Pneumatic	I Pneumatic	J Pneumatic	Approximate (Each)		
inches	inches	inches	inches	inches	inches	inches	inches	inches	inches	lb	kg
6	6.625	28.63	23.25	14.38	30.75	40.25	14.50	14.38	1250.0	980.0	
150	168.3	727.3	590	363	780	1021	368	364	567.0	444.5	

**5.0 PERFORMANCE**

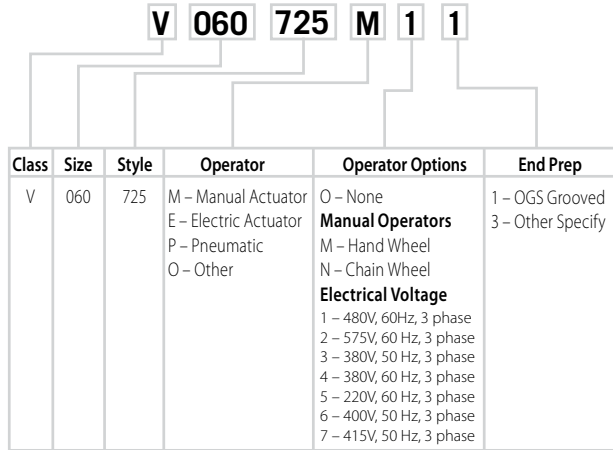
Not applicable - contact Victaulic with any questions.

**6.0 NOTIFICATIONS**

Not applicable - contact Victaulic with any questions.

**7.0 REFERENCE MATERIALS**

**Valve Numbering System**



- [05.01: Seal Selection Guide](#)
- [29.01: Terms and Conditions/Warranty](#)
- [I-100: Field Installation Handbook](#)
- [I-725: Series 725 Diverter Valve Installation Manual](#)

DISCONTINUED PRODUCT - REPLACED BY SERIES 725S DIVERTER VALVE  
REQUEST PUBLICATION 08.41

**User Responsibility for Product Selection and Suitability**

Each user bears final responsibility for making a determination as to the suitability of Victaulic products for a particular end-use application, in accordance with industry standards and project specifications, and the applicable building codes and related regulations as well as Victaulic performance, maintenance, safety, and warning instructions. Nothing in this or any other document, nor any verbal recommendation, advice, or opinion from any Victaulic employee, shall be deemed to alter, vary, supersede, or waive any provision of Victaulic Company's standard conditions of sale, installation guide, or this disclaimer.

**Intellectual Property Rights**

No statement contained herein concerning a possible or suggested use of any material, product, service, or design is intended, or should be construed, to grant any license under any patent or other intellectual property right of Victaulic or any of its subsidiaries or affiliates covering such use or design, or as a recommendation for the use of such material, product, service, or design in the infringement of any patent or other intellectual property right. The terms "Patented" or "Patent Pending" refer to design or utility patents or patent applications for articles and/or methods of use in the United States and/or other countries.

**Note**

This product shall be manufactured by Victaulic or to Victaulic specifications. All products to be installed in accordance with current Victaulic installation/assembly instructions. Victaulic reserves the right to change product specifications, designs and standard equipment without notice and without incurring obligations.

**Installation**

Reference should always be made to the Victaulic installation handbook or installation instructions of the product you are installing. Handbooks are included with each shipment of Victaulic products, providing complete installation and assembly data, and are available in PDF format on our website at [www.victaulic.com](http://www.victaulic.com).

**Warranty**

Refer to the Warranty section of the current Price List or contact Victaulic for details.

**Trademarks**

Victaulic and all other Victaulic marks are the trademarks or registered trademarks of Victaulic Company, and/or its affiliated entities, in the U.S. and/or other countries.