

Victaulic® TestMaster™ II Alarm Test Module

Series 720 (EMEA-I and AP Only)



10.22



Series 720
Grooved Ends
1 ¼ – 2"/DN32 – DN50



Series 720
Threaded Ends
1 – 2"/DN25 – DN50



Series 720
with Pressure Relief Valve
1 – 2"/DN25 – DN50



Series 720
Threaded Ends (CCCF Version)
1 – 2"/DN25 – DN50

1.0 PRODUCT DESCRIPTION

Available Sizes

- 1 – 2"/DN25 – DN50

Maximum Working Pressure

- For grooved ends or threaded ends: 300 psi/2068 kPa/21 bar
- For Series 720 with Pressure Relief Valve or CCCF Version: 175 psi/1206 kPa/12 bar

Function

- Provides a test port and a drain port within the same unit

Test Port

- K5.6/S.I. 80
- Optional: K8.0/S.I. 115

2.0 CERTIFICATION/LISTINGS



ALWAYS REFER TO ANY NOTIFICATIONS AT THE END OF THIS DOCUMENT REGARDING PRODUCT INSTALLATION, MAINTENANCE OR SUPPORT.



3.0 SPECIFICATIONS - MATERIAL

Body: Bronze

Internals: Bronze and copper alloy, except spring is 316 stainless steel

Valve Bonnet: Bronze

Sight Glasses: Polycarbonate

O-Rings: Nitrile

Gland Nut: Copper alloy

Indicator Pin/Plate: Carbon steel, zinc plated

Handwheel: Malleable iron

Open/Shut Label: Aluminum

Valve Seats: EPDM

Options: TestMaster™ II can be specially ordered with the body tapped ¼" NPT for a pressure gauge connection.

Test Port Orifice Sizes:

K5.6/ S.I. 80

K8.0/S.I. 115

Pressure Relief Valve Option:

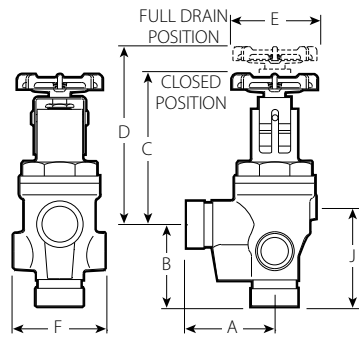
Relief Valve: ½" Pressure Relief Valve, Watts Regulator Model FP 53L 175 psi

Fittings: Bronze elbows and hose adapters

Drain Hose: Reinforced plastic

4.0 DIMENSIONS

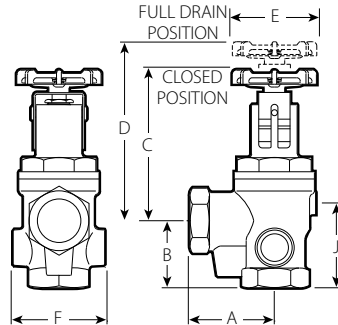
Series 720 Grooved Ends



Series 720 Grooved Ends
1 ¼ – 2"/DN32 – DN50

Size		Dimensions							Weight
Nominal	Actual Outside Diameter	A	B	C	D	E	F	J	Approximate (Each)
inches DN	inches mm	inches mm	inches mm	inches mm	inches mm	inches mm	inches mm	inches mm	lb kg
1 ¼	1.660	3.15	2.90	5.47	6.43	2.68	3.25	3.50	6.7
DN32	42.4	80	74	139	163	68	83	89	3.0
1 ½	1.900	3.65	3.06	5.47	6.51	2.68	3.75	4.20	8.9
DN40	48.3	93	78	139	165	68	95	107	4.0
2	2.375	3.65	3.06	5.47	6.51	2.68	3.75	4.20	9.3
DN50	60.3	93	78	139	165	68	95	107	4.2

Series 720 Threaded Ends

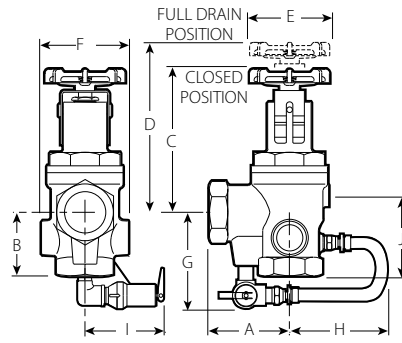


Series 720 Threaded Ends
1 – 2"/DN25 – DN50

Size		Dimensions							Weight
Nominal	Actual Outside Diameter	A	B	C	D	E	F	J	Approximate (Each)
inches DN	inches mm	inches mm	inches mm	inches mm	inches mm	inches mm	inches mm	inches mm	lb kg
1	1.315	3.00	2.38	5.47	6.43	2.68	3.25	3.00	7.3
DN25	33.7	76	60	139	163	68	83	76	3.3
1 ¼	1.660	3.00	2.38	5.47	6.43	2.68	3.25	3.00	7.0
DN32	42.4	76	60	139	163	68	83	76	3.2
1 ½	1.900	3.63	2.38	5.47	6.51	2.68	3.75	3.50	10.5
DN40	48.3	92	60	139	165	68	95	89	4.8
2	2.375	3.63	2.38	5.47	6.51	2.68	3.75	3.50	10.0
DN50	60.3	92	60	139	165	68	95	89	4.6

4.0 DIMENSIONS (Continued)

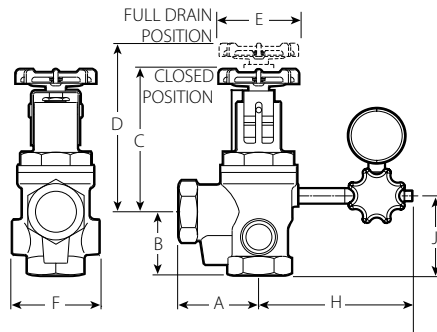
Series 720 with Pressure Relief Valve



Series 720 with Pressure Relief Valve
1 – 2"/DN25 – DN50

Size		Dimensions										Weight
Nominal	Actual Outside Diameter	A	B	C	D	E	F	G	H	I	J	Approximate (Each)
inches	inches	inches	inches	inches	inches	inches	inches	inches	inches	inches	inches	lb
DN	mm	mm	mm	mm	mm	mm	mm	mm	mm	mm	mm	kg
1	1.315	3.00	2.38	5.47	6.43	2.68	3.25	3.90	4.95	4.00	3.00	8.3
DN25	33.7	76	60	139	163	68	83	99.06	125.73	101.6	76	3.8
1 ¼	1.660	3.00	2.38	5.47	6.43	2.68	3.25	3.90	4.95	4.00	3.00	8.0
DN32	42.4	76	60	139	163	68	83	99.06	125.73	101.6	76	3.8
1 ½	1.900	3.63	2.38	5.47	6.51	2.68	3.75	4.09	4.95	4.00	3.50	11.5
DN40	48.3	92	60	139	165	68	95	103.89	125.73	101.6	89	5.2
2	2.375	3.63	2.38	5.47	6.51	2.68	3.75	4.09	4.95	4.00	3.50	11.0
DN50	60.3	92	60	139	165	68	95	103.89	125.73	101.6	89	5.0

Series 720 Threaded Ends (CCCF Version)¹



Series 720 Threaded Ends (CCCF Version)
1 – 2"/DN25 – DN50







Size		Dimensions								Weight
Nominal	Actual Outside Diameter	A	B	C	D	E	F	H	J	Approximate (Each)
inches	inches	inches	inches	inches	inches	inches	inches	inches	inches	lb
DN	mm	mm	mm	mm	mm	mm	mm	mm	mm	kg
1	1.315	3.00	2.38	5.47	6.43	2.68	3.25	5.74	3.00	8.0
DN25	33.7	76	60	139	163	68	83	146	76	3.6
1 ¼	1.660	3.00	2.38	5.47	6.43	2.68	3.25	5.74	3.00	7.7
DN32	42.4	76	60	139	163	68	83	146	76	3.5
1 ½	1.900	3.63	2.38	5.47	6.51	2.68	3.75	5.95	3.50	11.2
DN40	48.3	92	60	139	165	68	95	151	89	5.1
2	2.375	3.63	2.38	5.47	6.51	2.68	3.75	5.95	3.50	10.7
DN50	60.3	92	60	139	165	68	95	151	89	4.9

¹ Available only in China

5.0 PERFORMANCE

Contact Victaulic for details.

6.0 NOTIFICATIONS

⚠ WARNING					
					
<ul style="list-style-type: none">• Read and understand all instructions before attempting to install, remove, adjust, or maintain any Victaulic piping products.• Depressurize and drain the piping system before attempting to install, remove, adjust, or maintain any Victaulic piping products.• Wear safety glasses, hardhat, and foot protection. <p>Failure to follow these instructions could result in death or serious personal injury and property damage.</p>					

7.0 REFERENCE MATERIALS

[I-720: Victaulic® Installation Instructions Style 720 TestMaster™ II](#)

[I-720.CCCF: Victaulic® Installation Instructions Style 720 \(CCCF Version\) TestMaster™ II](#)

User Responsibility for Product Selection and Suitability

Each user bears final responsibility for making a determination as to the suitability of Victaulic products for a particular end-use application, in accordance with industry standards and project specifications, and the applicable building codes and related regulations as well as Victaulic performance, maintenance, safety, and warning instructions. Nothing in this or any other document, nor any verbal recommendation, advice, or opinion from any Victaulic employee, shall be deemed to alter, vary, supersede, or waive any provision of Victaulic Company's standard conditions of sale, installation guide, or this disclaimer.

Intellectual Property Rights

No statement contained herein concerning a possible or suggested use of any material, product, service, or design is intended, or should be construed, to grant any license under any patent or other intellectual property right of Victaulic or any of its subsidiaries or affiliates covering such use or design, or as a recommendation for the use of such material, product, service, or design in the infringement of any patent or other intellectual property right. The terms "Patented" or "Patent Pending" refer to design or utility patents or patent applications for articles and/or methods of use in the United States and/or other countries.

Note

This product shall be manufactured by Victaulic or to Victaulic specifications. All products to be installed in accordance with current Victaulic installation/assembly instructions. Victaulic reserves the right to change product specifications, designs and standard equipment without notice and without incurring obligations.

Installation

Reference should always be made to the Victaulic installation handbook or installation instructions of the product you are installing. Handbooks are included with each shipment of Victaulic products, providing complete installation and assembly data, and are available in PDF format on our website at www.victaulic.com.

Warranty

Refer to the Warranty section of the current Price List or contact Victaulic for details.

Trademarks

Victaulic and all other Victaulic marks are the trademarks or registered trademarks of Victaulic Company, and/or its affiliated entities, in the U.S. and/or other countries.