

FireLock® Wye Type Vic-Strainer®

STYLE 732H



Style 732H Vic-Strainer provides straight through flow for lower pressure drop. Installs with two Victaulic couplings. Style 732H strainers range in size from 2 – 4”/50 – 100mm. All sizes are rated to 365 psi/2500 kPa maximum working pressure.

The Style 732H Vic-Strainer comes standard with a durable 304 stainless perforated metal basket, 0.062" diameter holes for 2 – 3”/50 – 80mm sizes; and 0.188" diameter holes for 4”/100 mm sizes standard.



WARNING



WARNING

- Always depressurize and drain piping systems before attempting to install, remove, or adjust any Victaulic piping products.
- Failure to follow this instruction could result in serious personal injury, property damage, joint leakage, and/or joint failure.

JOB OWNER

System No. _____

Location _____

CONTRACTOR

Submitted By _____

Date _____

ENGINEER

Spec Sect _____ Para _____

Approved _____

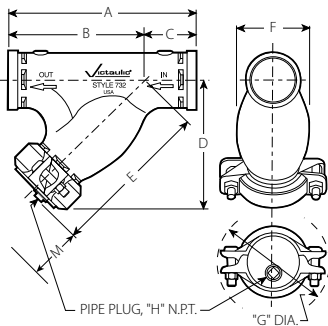
Date _____

FireLock® Wye Type Vic-Strainer®

STYLE 732H



DIMENSIONS



Size		Max. Work Pressure psi kPa #	Dimensions – Inches/mm									Approx. Wgt. Each Lbs. kg
Nominal Size Inches/mm	Actual Outside Diameter Inches/mm		End to End A	B	C	D	E	F	G*	H		
2 50	2.375 60.3	365 2500	9.75 248	7.00 178	2.75 70	7.54 192	8.54 217	3.50 89	5.25 133	0.50 13	10.0 4.5	
2½ 65	2.875 73.0	365 2500	10.75 273	7.75 197	3.00 76	8.32 211	9.32 237	4.13 105	5.81 148	0.50 13	14.0 6.4	
76.1 mm	3.000 76.1	365 2500	10.75 273	7.75 197	3.00 76	8.32 211	9.32 237	4.13 105	5.81 148	0.50 13	14.0 6.4	
3 80	3.500 88.9	365 2500	11.75 299	8.50 216	3.25 83	9.08 231	10.14 258	4.75 121	6.63 168	0.75 19	20.0 9.1	
4 100	4.500 114.3	365 2500	14.25 362	10.50 267	3.75 95	11.06 281	12.36 314	6.25 159	7.94 202	1.00 25	32.0 14.5	

#Working pressure is maximum and will be governed by couplings used for installation and related system components. Maximum differential pressure from inlet to outlet must not exceed 10 psi/69 kPa.

*Dimensions will vary depending upon coupling orientation.

MATERIAL SPECIFICATIONS

Body, Coupling, End Cap: ASTM A-536, grade 65-45-12.

Basket: Stainless Steel, Type 304, perforated metal.

- 2" – 3"/50 – 80mm: 0.062"/1.6mm diameter perforations on 0.09"/2.3mm centers, 41% open area.
- 4"/100mm: 0.188"/4.8mm diameter perforations on 0.25"/6.6mm centers, 51% open area.

Coating: Galvanized and Orange Enamel

Gasket Grade:

- **Grade "E" EPDM**
EPDM (Green color code). Temperature range –30°F to +230°F/–34°C to +110°C. Recommended for cold and hot water service within the specified temperature range plus a variety of dilute acids, oil-free air and many chemical services. UL classified in accordance with ANSI/NSF 61 for cold +86°F/+30°C and hot +180°F/+82°C potable water service. NOT RECOMMENDED FOR PETROLEUM SERVICES.

FireLock® Wye Type Vic-Strainer®

STYLE 732H



MATERIAL SPECIFICATIONS

*Services listed are General Service Recommendations only. It should be noted that there are services for which these gaskets are not recommended. Reference should always be made to the latest Victaulic Gasket Selection Guide for specific gasket service recommendations and for a listing of services which are not recommended.

† Supplemental lubricant is recommended for services installed at or continuously operating below 0°F/-18°C.

Bolts/Nuts: Heat treated carbon steel zinc electroplated to ASTM B-633, track head conforming to physical properties of ASTM A-183 minimum tensile 110,000psi/758340kPa.

Couplings: Style 732H FireLock® Vic-Strainer is supplied with a Style 07 Zero-Flex® coupling for cleaning access.

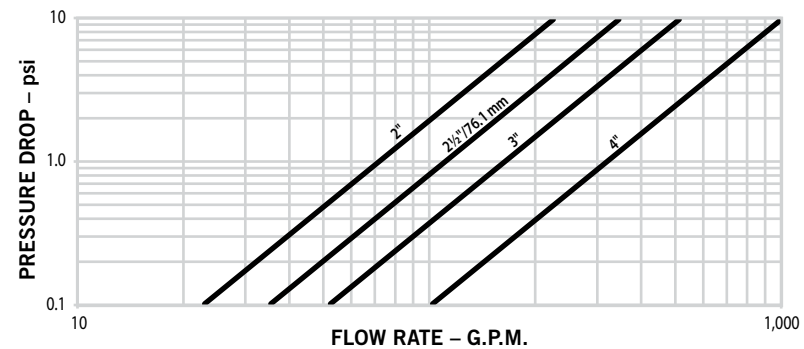
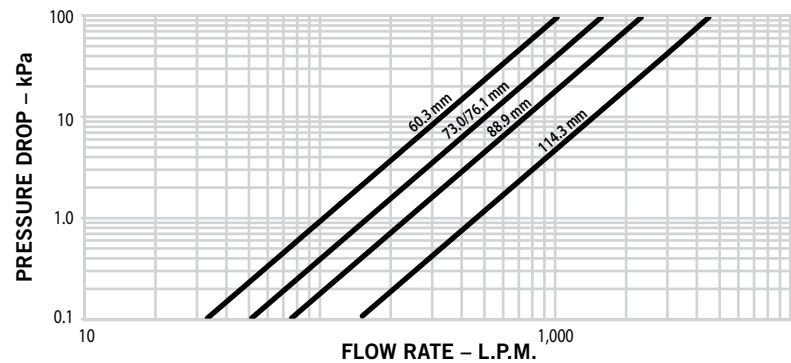
Blow Down Port: An NPT tap is provided in the cap for a discharge valve connection allowing solids to be “blown down” while the system is in service. Strainer supplied with cap plugged.

PERFORMANCE

FLOW CHARACTERISTICS

Flow characteristics are based on standard, clean baskets. Actual flow performance may vary if strainer fills with media.

The charts below express pressure drop for flow of water at 65°F/18°C.



FireLock® Wye Type Vic-Strainer®

STYLE 732H



FLOW RATE

C_v values for flow of water at +60°F/+16°C are shown in tables below.

Formulas for C_v values:

$$\Delta P = \frac{Q^2}{C_v^2}$$

$$Q = C_v \times \sqrt{\Delta P}$$

Where:

Q = Flow (GPM)

ΔP = Pressure Drop (psi)

C_v = Flow Coefficient

Size		C _v
Nominal Size Inches/mm	Actual Outside Diameter Inches/mm	Full Open
2 50	2.375 60.3	72
2½ 65	2.875 73.0	111
76.1 mm	3.000 76.1	111
3 80	3.500 88.9	164
4 100	4.500 114.3	320

WARRANTY

Refer to the Warranty section of the current Price List or contact Victaulic for details.

NOTE

This product shall be manufactured by Victaulic or to Victaulic specifications. All products to be installed in accordance with current Victaulic installation/assembly instructions. Victaulic reserves the right to change product specifications, designs and standard equipment without notice and without incurring obligations.