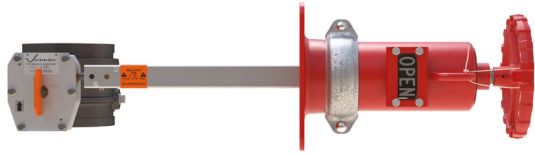


FireLock™ Butterfly Valve Wall Post Indicator Assembly Series 775



10.76



1.0 PRODUCT DESCRIPTION

Available Sizes

- 2 – 4"
- 6 – 8"
- 10 – 12"

Function

- Actuate gear-operated butterfly valves from the other side of a structure
- The Series 775 is ordered with the appropriate size and series of butterfly valve as indicated in the price list
- Indicate position of the butterfly valve located within the structure

Application

- Pipe risers on exterior walls and roof applications, above ground installations only

2.0 CERTIFICATION/LISTINGS



ALWAYS REFER TO ANY NOTIFICATIONS AT THE END OF THIS DOCUMENT REGARDING PRODUCT INSTALLATION, MAINTENANCE OR SUPPORT.



3.0 SPECIFICATIONS – MATERIAL

Standard Assembly

Housing: Ductile Iron per ASTM A536 Grade 65-45-12, Red Paint

Handwheel:

2 – 4" and 5 – 8": Ductile Iron per ASTM A536 Grade 65-45-12, Red Paint

10 – 12": Alloy Steel, Red Paint

Lead Screw: 416 Stainless Steel per ASTM A582

Travel Nut: Cast Silicon Bronze per ASTM B563/B763M

Indicator Flag: UNS A03560 Cast Aluminum

Bracket: Ductile Iron per ASTM A536 Grade 65-45-12, Red Paint

Extension Tube: Steel Tube per ASTM A513, Galvanized

Drive Nut: Cast Silicon Bronze per ASTM B563/B763M

Handwheel Pin: Stainless Steel

Retaining Ring: Stainless Steel

O-Ring: Nitrile

Indicator Plate Screws: Stainless Steel

Coupling: Galvanized Housings, Stainless Steel Hardware

Sight Pane Cover: Carbon Steel, Painted

Sight Pane Gasket: EPDM

Sight Pane Window: Polycarbonate

Snap Button Pins: Carbon Steel, Zinc-Plated

Clevis Pins: Carbon Steel, Zinc-Plated

Drive Nut Pin: Stainless Steel or High Carbon Steel

External Hardware: Stainless Steel

Internal Hardware: Carbon Steel, Zinc-Plated

Rooftop Kit Assembly

Extension Pipe: Sch. 10 Steel Pipe per ASTM A135, Galvanized

Extension Tube: Steel Tube per ASTM A513, Galvanized

Snap Button Pin: Carbon Steel, Zinc-Plated

Coupling: Galvanized Housings, Stainless Steel Hardware

Flange Plate: Carbon Steel, Red Paint

Hardware: Carbon Steel, Zinc-Plated

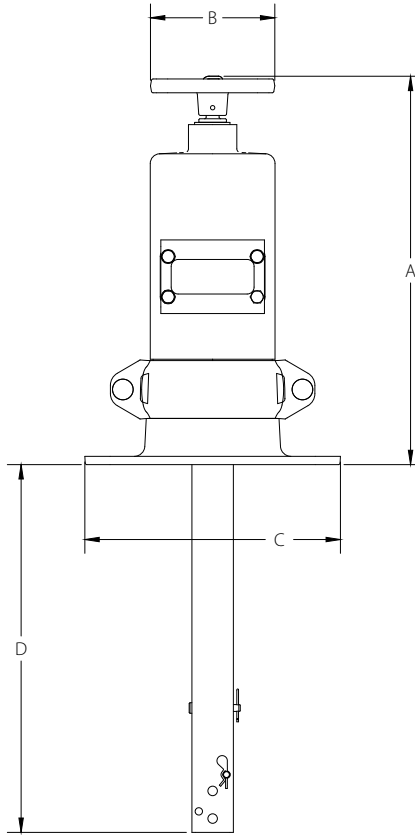
NOTE

- For butterfly valve friction loss data, refer to submittals [10.75](#), [10.80](#), [10.81](#) and [10.83](#).

4.0 DIMENSIONS

Series 775

Standard Assembly



Size		Dimensions				Weight (Wall Post Only)
Nominal inches DN	Actual Outside Diameter inches mm	A inches mm	B inches mm	C inches mm	D inches mm	Approx. (Each) lb kg
2 – 4 DN50 – DN100	2.375 – 4.5 60.3 – 114.3	14.00 355	4.50 115	9.25 235	13.38 338	31.0 14.0
6 – 8 DN150 – DN200	6.625 – 8.625 168.3 – 219.1	14.63 370	8.13 206	9.25 235	13.38 338	34.0 15.5
10 – 12 DN250 – DN300	10.750 – 12.750 273.0 – 323.9	15.63 395	11.88 300	9.25 235	13.38 338	39.0 17.5

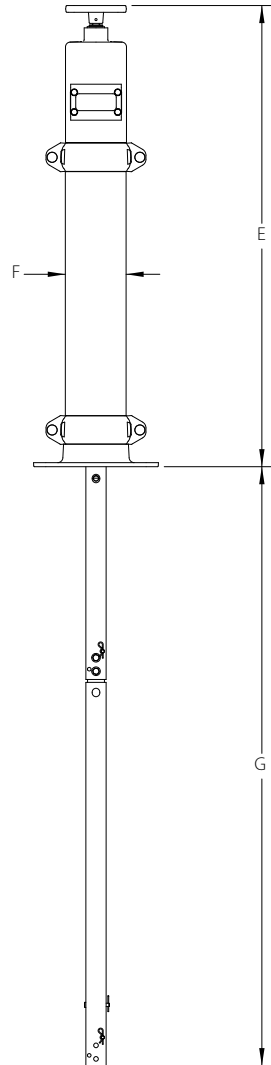
NOTE

- Drawings based on 3" size

4.0 DIMENSIONS

Series 775

Rooftop Kit Assembly



Size		Dimensions			Weight (Wall Post Only)
Nominal inches DN	Actual Outside Diameter inches mm	E inches mm	G inches mm	F inches mm	Approx. (Each) lb kg
2 – 4 DN50 – DN100	2.375 – 4.5 60.3 – 114.3	34.25 868	44.25 1122	4.50 115	55.0 25.0
6 – 8 DN150 – DN200	6.625 – 8.625 168.3 – 219.1	34.75 883	44.25 1122	4.50 115	58.0 26.5
10 – 12 DN250 – DN300	10.750 – 12.750 273.0 – 323.9	35.75 908	44.25 1122	4.50 115	62.0 28.0

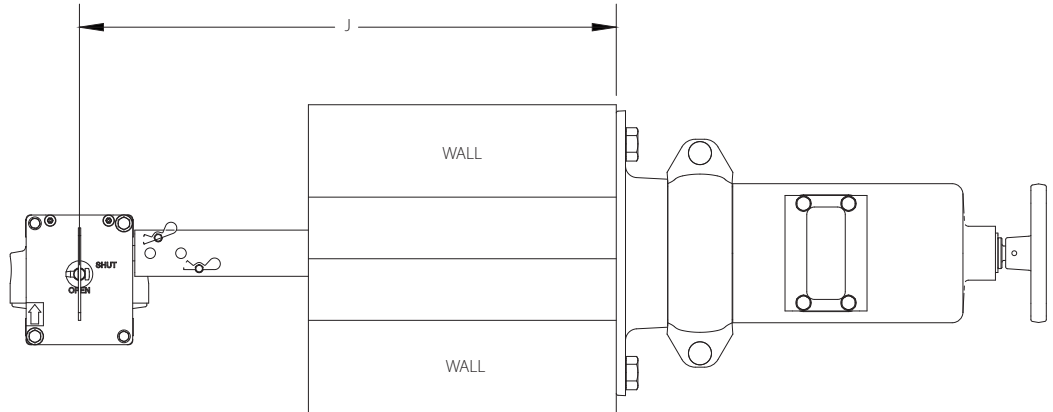
NOTE

- Drawings based on 3" size

4.0 DIMENSIONS

Series 775

Standard Assembly Layout



Size		Dimensions	
Nominal inches DN	Actual Outside Diameter inches mm	J Maximum inches mm	J Minimum inches mm
2 – 4 DN50 – DN100	2.375 – 4.5 60.3 – 114.3	37.88 962	17.63 448
6 – 8 DN150 – DN200	6.625 – 8.625 168.3 – 219.1	39.00 991	18.88 479
10 – 12 DN250 – DN300	10.750 – 12.750 273.0 – 323.9	40.00 1016	19.50 494

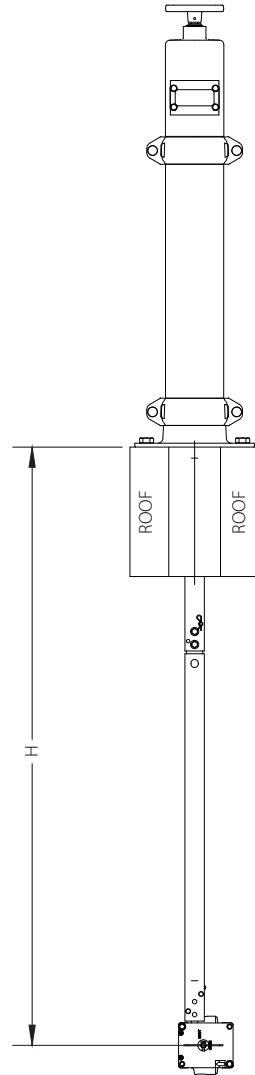
NOTE

- Drawings based on 3" size

4.0 DIMENSIONS

Series 775

Rooftop Kit Assembly Layout



Size		Dimensions	
Nominal inches DN	Actual Outside Diameter inches mm	H Maximum inches mm	H Minimum inches mm
2 – 4 DN50 – DN100	2.375 – 4.5 60.3 – 114.3	70.75 1797	46.38 1177
6 – 8 DN150 – DN200	6.625 – 8.625 168.3 – 219.1	72.00 1829	47.63 1207
10 – 12 DN250 – DN300	10.750 – 12.750 273.0 – 323.9	72.88 1851	48.50 1232

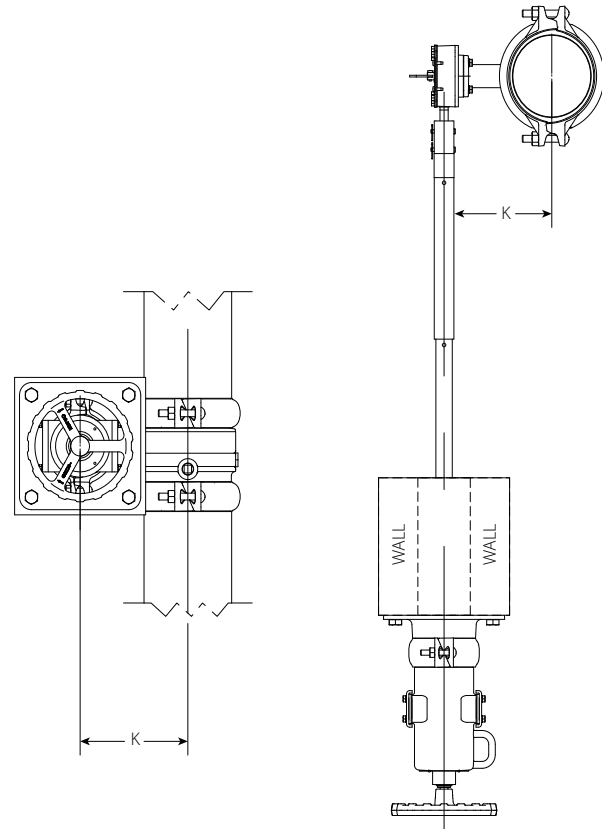
NOTE

- Drawings based on 3" size

4.0 DIMENSIONS

Series 775

Offset Layout



Size		Dimensions	
Nominal inches DN	Actual Outside Diameter inches DN	K inches DN	
2 DN50	2.375 60.3	4.13 105	
2½	2.875 73.0	5.25 133	
DN65	3.000 76.1	5.25 133	
3 DN80	3.500 88.9	5.50 140	
4 DN100	4.500 114.3	6.25 159	
5	5.563 141.3	7.75 197	
	6.500 165.1	8.25 210	
6 DN150	6.625 168.3	8.25 210	
8 DN200	8.625 219.1	9.50 241	
10 DN250	10.750 273.0	11.13 283	
12 DN300	12.750 323.9	12.13 308	

5.0 PERFORMANCE

For butterfly valve friction loss data, refer to submittals [10.75](#), [10.80](#), [10.81](#) and [10.83](#).

6.0 NOTIFICATIONS

WARNING



- Read and understand all instructions before attempting to install any Victaulic products.
- Always verify that the piping system has been completely depressurized and drained immediately prior to installation, removal, adjustment, or maintenance of any Victaulic products.
- Confirm that any equipment, branch lines, or sections of piping that may have been isolated for/during testing or due to valve closures/positioning are identified, depressurized, and drained immediately prior to installation, removal, adjustment, or maintenance of any Victaulic products.
- Wear safety glasses, hardhat, and foot protection.

Failure to follow these instructions could cause death or serious personal injury and property damage.

- These products shall be used only in fire protection systems that are designed and installed in accordance with current, applicable National Fire Protection Association (NFPA 13, 13D, 13R, etc.) standards, or equivalent standards, and in accordance with applicable building and fire codes. These standards and codes contain important information regarding protection of systems from freezing temperatures, corrosion, mechanical damage, etc.
- The installer shall understand the use of this product and why it was specified for the particular application.
- The installer shall understand common industry safety standards and potential consequences of improper product installation.

Failure to follow installation requirements and local and national codes and standards could compromise system integrity or cause system failure, resulting in death or serious personal injury and property damage.

7.0 REFERENCE MATERIALS

- [10.75: FireLock™ Butterfly Valve Series 707C with Weatherproof Actuator – Supervised Closed](#)
- [10.80: FireLock™ High Pressure Butterfly Valve Series 765 with Weatherproof Actuator – Supervised Open](#)
- [10.81: FireLock® Butterfly Valve Series 705 with Weatherproof Actuator](#)
- [10.83: FireLock™ High Pressure Butterfly Valve Series 766 with Weatherproof Actuator – Supervised Closed](#)
- [I-100: Field Installation Handbook](#)
- [I-775: FireLock™ Series 775 Butterfly Valve Wall Post Indicator Assembly Installation and Maintenance Instructions](#)

NOTE

- For butterfly valve switch and wiring instructions, see documents:
 - [I-765-705: FireLock™ Butterfly Valve with Weatherproof Actuator Series 765/705 Installation Instructions](#)
 - [I-766-707C: FireLock™ Butterfly Valve with Weatherproof Actuator and Supervised-Closed Switches Series 766 Installation Instructions](#)

User Responsibility for Product Selection and Suitability

Each user bears final responsibility for making a determination as to the suitability of Victaulic products for a particular end-use application, in accordance with industry standards and project specifications, as well as Victaulic performance, maintenance, safety, and warning instructions. Nothing in this or any other document, nor any verbal recommendation, advice, or opinion from any Victaulic employee, shall be deemed to alter, vary, supersede, or waive any provision of Victaulic Company's standard conditions of sale, installation guide, or this disclaimer.

Intellectual Property Rights

No statement contained herein concerning a possible or suggested use of any material, product, service, or design is intended, or should be construed, to grant any license under any patent or other intellectual property right of Victaulic or any of its subsidiaries or affiliates covering such use or design, or as a recommendation for the use of such material, product, service, or design in the infringement of any patent or other intellectual property right. The terms "Patented" or "Patent Pending" refer to design or utility patents or patent applications for articles and/or methods of use in the United States and/or other countries.

Note

This product shall be manufactured by Victaulic or to Victaulic specifications. All products to be installed in accordance with current Victaulic installation/assembly instructions. Victaulic reserves the right to change product specifications, designs and standard equipment without notice and without incurring obligations.

Installation

Reference should always be made to the Victaulic installation handbook or installation instructions of the product you are installing. Handbooks are included with each shipment of Victaulic products, providing complete installation and assembly data, and are available in PDF format on our website at www.victaulic.com.

Warranty

Refer to the Warranty section of the current Price List or contact Victaulic for details.

Trademarks

Victaulic and all other Victaulic marks are the trademarks or registered trademarks of Victaulic Company, and/or its affiliated entities, in the U.S. and/or other countries.