

VicFlex™ Stainless Steel Sprinkler Fittings

Series AQD Braided Flexible Hose Assemblies for FRP Ducts



1.0 PRODUCT DESCRIPTION

VicFlex™ Stainless Steel sprinkler Fittings provide fast, easy sprinkler installation for FRP duct system applications.

System Options

- Braided flexible stainless steel hose in lengths: 24, 48, 72"/610, 1220, 1830 mm
- Fiberglass: Reinforced Plastic
- The system requires no welding for assembly
- Series AQD applicable for round and square duct types

Maximum Working Pressure

- 175 psi/ 1200 kPa

Connections

- To branch line (inlet) via 1"/25 mm NPT/BSPT male thread
- To sprinkler head (outlet) via ½"/15 mm NPT/BSPT female thread

Base mount

- Square
- Round

Base size	For Duct Diameter
6.1"/155mm	11.8 - 13.8"/300 - 350mm
9.4"/240mm	15.7 - 23.6"/400 - 600mm
18.9"/480mm	25.6 - 72.8"/650 - 1850mm

Minimum Bend Radius

- 6"/150 mm

2.0 CERTIFICATION/LISTINGS



See Victaulic [publication 10.01](#) for more details

ALWAYS REFER TO ANY NOTIFICATIONS AT THE END OF THIS DOCUMENT REGARDING PRODUCT INSTALLATION, MAINTENANCE OR SUPPORT.

3.0 SPECIFICATIONS – MATERIAL

Corrugated Flexible Hose: SS304

Reducer and Nipple: SS304

Base Mount: Fiberglass-Reinforced Plastic

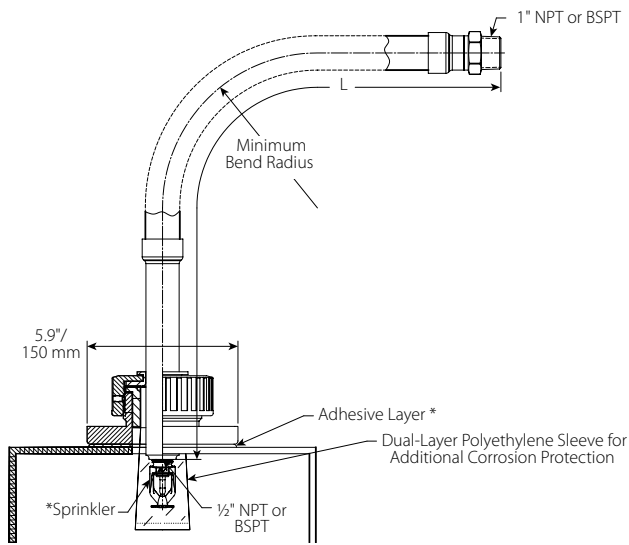
Dual-Layer Sleeve: Polyethylene

Gaskets: EPDM

Braid and Collar: SS304

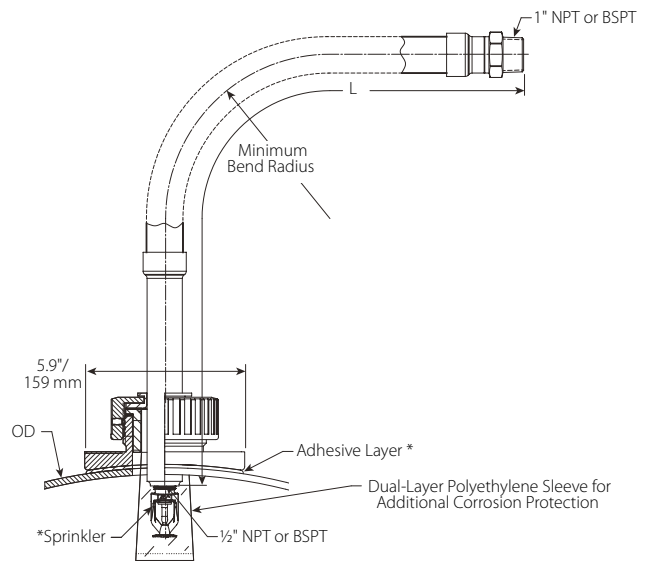
4.0 DIMENSIONS

Square Duct Application



*Typical square duct shown.
Items not provided with Series AQD.

Round Duct Application



*Typical round duct shown.
Items not provided with Series AQD.

5.0 PERFORMANCE

Friction Loss Data – Series AQD

Length of Stainless Steel Flexible Hose	NPT	Equivalent Length of 1 inch/33.7mm Sch. 40 Pipe		Maximum Number of 90° Bends
		inches	feet	
24 610	½	5.5 1.7		1
48 1220	½	7.8 2.4		3
72 1830	½	11.1 3.4		4

This product has been tested and Approved by FM Global for use in wet, dry and preaction systems per NFPA 13, 13R and 13D. FM 1637 standards for safety include, but are not limited to, pressure cycling, corrosion resistance, flow characteristics, vibration resistance, leakage, mechanical and hydrostatic strength at 6" minimum bend radius.

6.0 NOTIFICATIONS

WARNING

- It is the responsibility of the system designer to verify suitability of 300-series stainless steel flexible hose for use with the intended fluid media within the piping system and external environments.
- The effect of chemical composition, pH level, operating temperature, chloride level, oxygen level, and flow rate on 300-series stainless steel flexible hose must be evaluated by the material specifier to confirm system life will be acceptable for the intended service.
- It is the responsibility of the owner of a building or their authorized agent to provide the sprinkler system installer with any knowledge that the water supply might be contaminated with or conducive to the development of micro-biologically influenced corrosion (MIC), including as required by NFPA 13. Failure to identify adverse water quality issues may affect the VicFlex product and void the manufacturer's warranty.

Failure to follow these instructions could cause product failure, resulting in serious personal injury and/or property damage.

7.0 REFERENCE MATERIALS

User Responsibility for Product Selection and Suitability

Each user bears final responsibility for making a determination as to the suitability of Victaulic products for a particular end-use application, in accordance with industry standards and project specifications, as well as Victaulic performance, maintenance, safety, and warning instructions. Nothing in this or any other document, nor any verbal recommendation, advice, or opinion from any Victaulic employee, shall be deemed to alter, vary, supersede, or waive any provision of Victaulic Company's standard conditions of sale, installation guide, or this disclaimer.

Intellectual Property Rights

No statement contained herein concerning a possible or suggested use of any material, product, service, or design is intended, or should be construed, to grant any license under any patent or other intellectual property right of Victaulic or any of its subsidiaries or affiliates covering such use or design, or as a recommendation for the use of such material, product, service, or design in the infringement of any patent or other intellectual property right. The terms "Patented" or "Patent Pending" refer to design or utility patents or patent applications for articles and/or methods of use in the United States and/or other countries.

Note

This product shall be manufactured by Victaulic or to Victaulic specifications. All products to be installed in accordance with current Victaulic installation/assembly instructions. Victaulic reserves the right to change product specifications, designs and standard equipment without notice and without incurring obligations.

Installation

Reference should always be made to the Victaulic installation handbook or installation instructions of the product you are installing. Handbooks are included with each shipment of Victaulic products, providing complete installation and assembly data, and are available in PDF format on our website at www.victaulic.com.

Warranty

Refer to the Warranty section of the current Price List or contact Victaulic for details.

Trademarks

Victaulic and all other Victaulic marks are the trademarks or registered trademarks of Victaulic Company, and/or its affiliated entities, in the U.S. and/or other countries.