



Series 771H



Series 772H



Series 771F



Series 772F



Series 774

### 1.0 PRODUCT DESCRIPTION

#### Available sizes

- 2 ½ – 16"/73mm – DN400

#### Maximum Working Pressure

- cULus Listed, FM Approved up to 250 psi/1725 kPa/20 bar. CCCf Approval up to 232 psi/1600 kPa/16 bar

#### Function

- OS&Y: Provides positive shutoff and a quick visual indicator of open or closed position.
- NRS: Provides remote shutoff service, for applications behind a wall or buried.

### 2.0 CERTIFICATION/LISTINGS



Size		Approval/Listing Maximum Working Pressure											
Nominal	Actual Outside Diameter	Series 771H			Series 772H			Series 771F			Series 772F		
		cULus	FM	CCC	cULus	FM	CCC	cULus	FM	CCC	cULus	FM	CCC
inches DN	inches mm	psi kPa	psi kPa	psi kPa	psi kPa	psi kPa	psi kPa	psi kPa	psi kPa	psi kPa	psi kPa	psi kPa	psi kPa
2 ½	2.875 73.0	250 1725	250 1725	–	250 1725	250 1725	–	250 1725	250 1725	–	250 1725	250 1725	–
DN65	3.000 76.1	250 1725	250 1725	232 1600	250 1725	250 1725	–	250 1725	250 1725	–	250 1725	250 1725	–
3 DN80	3.500 88.9	250 1725	250 1725	232 1600	250 1725	250 1725	–	250 1725	250 1725	–	250 1725	250 1725	–
4 DN100	4.500 114.3	250 1725	250 1725	232 1600	250 1725	250 1725	–	250 1725	250 1725	–	250 1725	250 1725	–
	6.500 165.1	250 1725	250 1725	232 1600	250 1725	250 1725	–	250 1725	250 1725	–	250 1725	250 1725	–
6 DN150	6.625 168.3	250 1725	250 1725	–	250 1725	250 1725	–	250 1725	250 1725	–	250 1725	250 1725	–
8 DN200	8.625 219.1	250 1725	250 1725	232 1600	250 1725	250 1725	–	250 1725	250 1725	–	250 1725	250 1725	–
10 DN250	10.750 273.0	250 1725	250 1725	232 1600	250 1725	250 1725	–	250 1725	250 1725	–	250 1725	250 1725	–
12 DN300	12.750 323.9	250 1725	250 1725	–	250 1725	–	–	250 1725	–	–	250 1725	–	–
14 DN350	14.000 355.6	250 1725	–	–	250 1725	–	–	250 1725	–	–	250 1725	–	–
16 DN400	16.000 406.4	250 1725	–	–	250 1725	–	–	250 1725	–	–	250 1725	–	–

ALWAYS REFER TO ANY NOTIFICATIONS AT THE END OF THIS DOCUMENT REGARDING PRODUCT INSTALLATION, MAINTENANCE OR SUPPORT.

### 3.0 SPECIFICATIONS – MATERIAL

---

#### Series 771 OS&Y and 772 NRS Gate Valves

**Body:** Ductile iron conforming to ASTM A536 grade 65-45-12

**Body Gasket:** EPDM

**Body Bolts:** Plated Steel w/ Plastic Covers

**Handwheel:** Ductile iron conforming to ASTM A536 grade 65-45-12

**OS&Y Yoke (Series 771 only):** Ductile iron conforming to ASTM A536 grade 65-45-12

**Bonnet:** Ductile iron conforming to ASTM A536 grade 65-45-12

**Bonnet/Body Coating:** Fusion bonded Epoxy coating

**Gate:** Ductile iron conforming to ASTM A536 grade 65-45-12, EPDM coated

**Gate Nut:** Bronze, conforming to ASTM A584

**Stem:** Bronze conforming to ASTM B150

**O-Ring Seals:** EPDM

**Optional:** Indicator Post Flange: Ductile iron conforming to ASTM A536 grade 65-45-12 available for NRS valves only

#### Series 774 Indicators

**Target Frame:** Bronze conforming to ASTM B62

**Window:** Polycarbonate

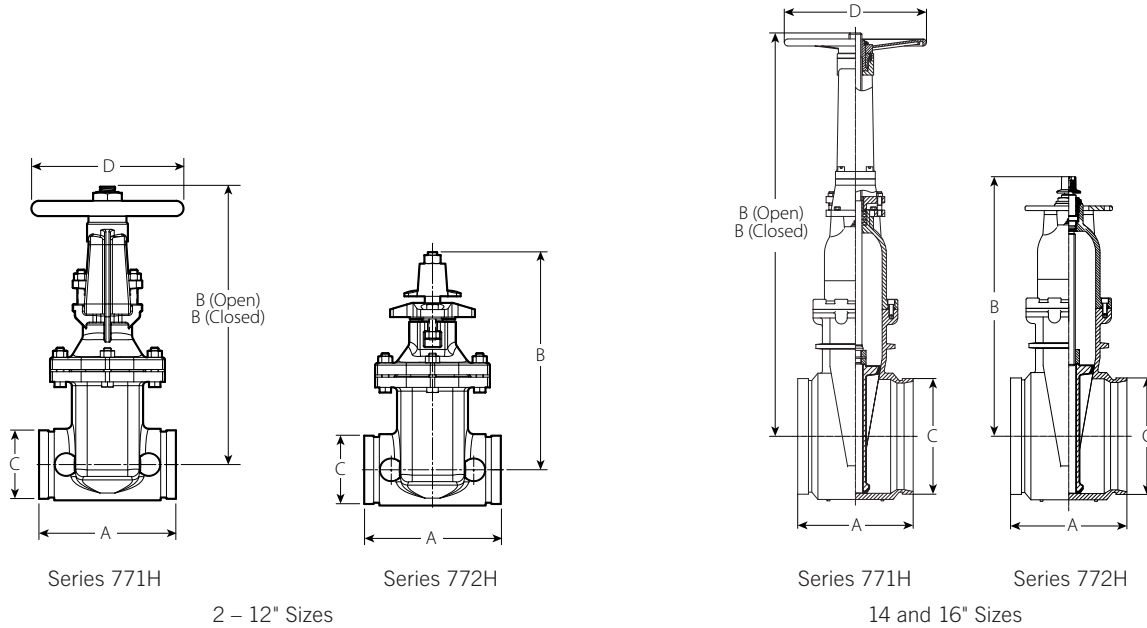
#### Series 774 Upright Indicators:

**Body:** Cast iron conforming to ASTM A126-B

**Extension Sleeve:** Cast iron conforming to ASTM A126-B

## 4.0 DIMENSIONS

### Series 771H OS&Y and Series 772H Grooved x Grooved

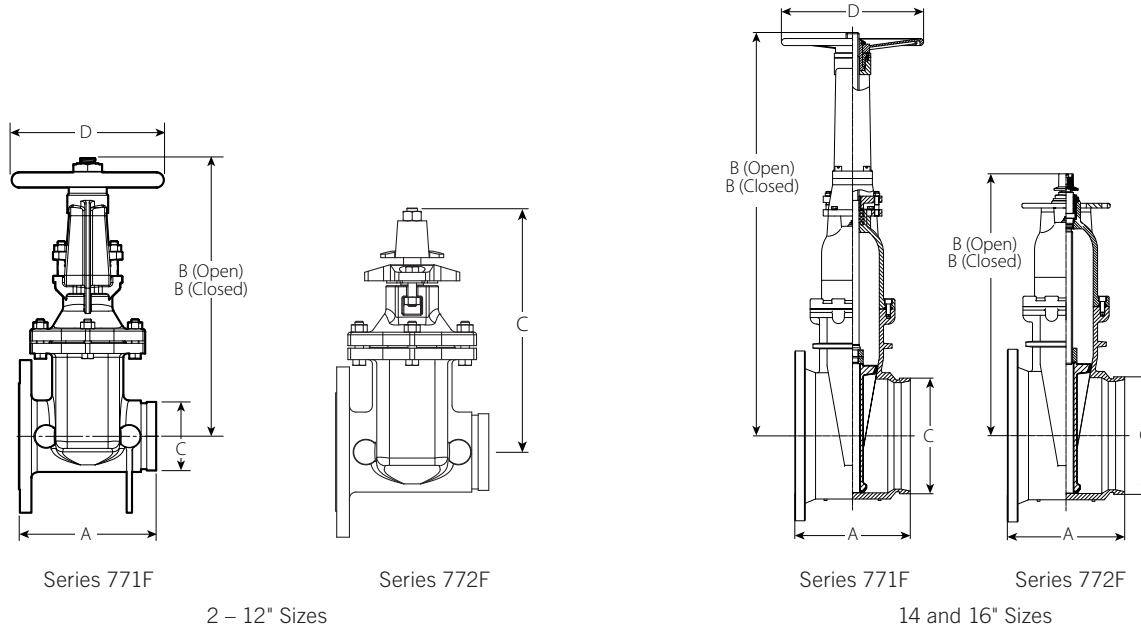


Size		Dimensions						Weight		
Nominal inches DN	Actual Outside Diameter inches mm	A inches mm	Series 771H Height		Series 772H Height		C inches mm	D inches mm	Approx. (Each)	
			B Closed inches mm	B Open inches mm	B inches mm	B inches mm			Series 771H lb kg	Series 772H lb kg
2½	2.875	7.50	16.13	18.75	11.00	2.88	7.88	31.5	22.1	
	73.0		410	476				14.3	10.0	
DN65	3.000	7.50	16.13	19.13	11.00	3.00	7.88	31.5	22.1	
	76.1		191	486				14.3	10.0	
3 DN80	3.500	8.00	17.13	20.38	12.25	3.50	7.88	39.3	29.8	
	88.9		203	435				17.8	13.5	
4 DN100	4.500	9.00	18.13	22.00	13.63	4.50	10.25	55.4	39.7	
	114.3		229	460				559	25.1	18.0
6	6.500	10.50	23.88	30.38	17.13	6.50	12.38	104.8	81.1	
	165.1		267	606				772	47.5	36.8
DN150	6.625	10.50	23.88	29.75	17.13	6.63	12.38	104.8	81.1	
	168.3		267	606				756	47.5	36.8
8 DN200	8.625	11.50	28.63	36.50	20.13	8.63	14.75	174.0	134.9	
	219.1		292	727				927	78.9	61.2
10 DN250	10.750	13.00	35.00	44.88	24.00	10.75	16.38	262.4	194.0	
	273.0		330	889				1140	119.0	88.0
12 DN300	12.750	14.00	40.13	51.88	27.63	12.75	17.50	392.9	310.4	
	323.9		356	1019				1318	178.2	140.8
14 DN350	14.000	15.00	53.00	66.75	32.50	14.00	19.63	586.0	492.0	
	355.6		381	1346				1695	265.8	223.2
16 DN400	16.000	16.00	55.88	71.63	36.00	16.00	19.63	776.0	667.0	
	406.4		406	1419				1819	352.0	302.5

## 4.0 DIMENSIONS

### Series 771F OS&Y and Series 772F

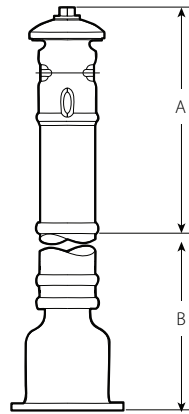
Flanged x Grooved come standard with an ANSI Class 150 flange. Other sizes are available. Contact Victaulic for details.



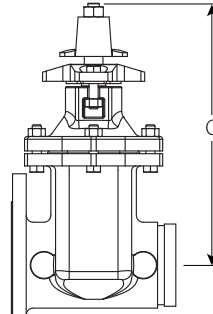
Size		Dimensions						Weight		
Nominal	Actual Outside Diameter	A	Series 771H Height		Series 772H Height		C	D	Approx. (Each)	
			B Closed	B Open	B	B			Series 771F	Series 772F
inches DN	inches mm	inches mm	inches mm	inches mm	inches mm	inches mm	inches mm	lb kg	lb kg	
2½	2.875	7.50	16.13	18.75	11.00	2.88	7.88	38.1	30.4	
	73.0	191	410	476	279	73	200	17.3	13.8	
DN65	3.000	7.50	16.13	19.13	11.00	3.00	7.88	38.1	30.4	
	76.1	191	410	486	279	76	200	17.3	13.8	
3 DN80	3.500	8.00	17.13	20.38	12.25	3.50	7.88	48.1	37.5	
	88.9	203	435	518	311	89	200	21.8	17.0	
4 DN100	4.500	9.00	18.13	22.00	13.63	4.50	10.25	70.6	52.9	
	114.3	229	460	559	346	114	260	32.0	24.0	
6 DN150	6.500	10.50	23.88	30.38	17.13	6.50	12.38	121.3	94.8	
	165.1	267	606	772	435	165	314	55.0	43.0	
8 DN200	6.625	10.50	23.88	29.75	17.13	6.63	12.38	121.3	94.8	
	168.3	267	606	756	435	168	314	55.0	43.0	
10 DN250	8.625	11.50	28.63	36.50	20.13	8.63	14.75	196.2	158.7	
	219.1	292	727	927	511	219	375	89.0	72.0	
12 DN300	10.750	13.00	35.00	44.88	24.00	10.75	16.38	310.9	253.5	
	273.0	330	889	1140	610	273	416	141.0	115.0	
14 DN350	12.750	14.00	40.13	51.88	27.63	12.75	17.50	449.8	377.0	
	323.9	356	1019	1318	702	324	445	204.0	171.0	
16 DN400	14.000	15.00	53.00	66.75	32.50	14.00	19.63	642.0	547.0	
	355.6	381	1346	1695	826	356	498	291.2	248.1	
16 DN400	16.000	16.00	55.88	71.63	36.00	16.00	19.63	847.0	747.0	
	406.4	406	1419	1819	914	406	498	384.2	338.8	

4.0 DIMENSIONS (CONTINUED)

Series 774 Upright Post Indicator & Series 772F



Series 774  
Upright Post Indicator



Series 772F

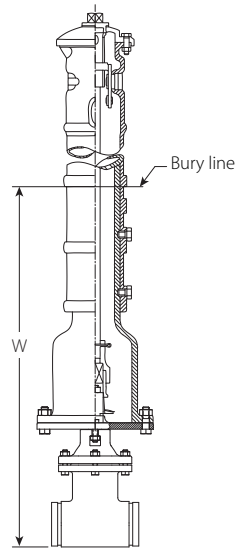
Size		Dimensions				Approximate Number of Turns	Weight
Nominal inches DN	Actual Outside Diameter inches mm	A inches mm	B Min inches mm	B Max inches mm	C inches mm		Approx. (Each) lb kg
2½	2.875 73.0	39.92 1014	21.65 550	61.42 1560	11.58 294	9	163.0 73.9
DN65	3.000 76.1	39.92 1014	21.65 550	61.42 1560	11.58 294	9	163.0 73.9
3 DN80	3.500 88.9	39.92 1014	21.65 550	61.42 1560	12.92 328	10	163.0 73.9
4 DN100	4.500 114.3	39.92 1014	21.65 550	61.42 1560	14.29 363	13	163.0 73.9
	6.500 165.1	39.92 1014	21.65 550	61.42 1560	17.13 435	16	163.0 73.9
6 DN150	6.625 168.3	39.92 1014	21.65 550	61.42 1560	17.13 435	16	163.0 73.9
8 DN200	8.625 219.1	39.92 1014	21.65 550	61.42 1560	20.83 529	17	163.0 73.9
10 DN250	10.750 273.0	39.92 1014	21.65 550	61.42 1560	24.73 628	21	163.0 73.9
12 DN300	12.750 323.9	39.92 1014	21.65 550	61.42 1560	28.39 721	26	163.0 73.9

NOTES

- Series 772H and Series 772F NRS Gate Valves must be equipped with a mounting plate if used with the Series 774 Upright Post Indicator. Contact Victaulic for details.
- Series 774 Post Indicator is intended for use on NRS valves only.

4.0 DIMENSIONS (CONTINUED)

Series 774 Upright Post Indicator  
Bury Depth



Size		W Bury Depth		Weight
Nominal inches DN	Actual Outside Diameter inches mm	Minimum inches mm	Maximum inches mm	Approx. (Each) lb kg
2½	2.875 73.0	31.23 793	71.00 1803	163.0 73.9
DN65	3.000 76.1	32.57 827	72.34 1837	163.0 73.9
3 DN80	3.500 88.9	32.57 827	72.34 1837	163.0 73.9
4 DN100	4.500 114.3	33.94 862	73.71 1872	163.0 73.9
	6.500 165.1	36.78 934	76.55 1944	163.0 73.9
6 DN150	6.625 168.3	36.78 934	76.55 1944	163.0 73.9
8 DN200	8.625 219.1	40.48 1028	80.25 2038	163.0 73.9
10 DN250	10.750 273.0	44.38 1127	84.15 2137	163.0 73.9
12 DN300	12.750 323.9	48.04 1220	87.81 2230	163.0 73.9

## 5.0 PERFORMANCE

## 6.0 NOTIFICATIONS

### WARNING



- Read and understand all instructions before attempting to install any Victaulic products.
- Always verify that the piping system has been completely depressurized and drained immediately prior to installation, removal, adjustment, or maintenance of any Victaulic products.
- Wear safety glasses, hardhat, and foot protection.

Failure to follow these instructions could result in death or serious personal injury and property damage.

- These products shall be used only in fire protection systems that are designed and installed in accordance with current, applicable National Fire Protection Association (NFPA 13, 13D, 13R, etc.) standards, or equivalent standards, and in accordance with applicable building and fire codes. These standards and codes contain important information regarding protection of systems from freezing temperatures, corrosion, mechanical damage, etc.
- The installer shall understand the use of this product and why it was specified for the particular application.
- The installer shall understand common industry safety standards and potential consequences of improper product installation.
- It is the system designer's responsibility to verify suitability of materials for use with the intended fluid media within the piping system and external environment.
- The material specifier shall evaluate the effect of chemical composition, pH level, operating temperature, chloride level, oxygen level, and flow rate on materials to confirm system life will be acceptable for the intended service.

Failure to follow installation requirements and local and national codes and standards could compromise system integrity or cause system failure, resulting in death or serious personal injury and property damage.

## 7.0 REFERENCE MATERIALS

---

- [05.01: Victaulic Seal Selection Guide – Elastomeric Seal Construction](#)
- [10.01: Victaulic Fire Protection Certifications/Listings Reference Guide](#)
- [24.01: Victaulic Pipe End Preparation](#)
- [26.01: Victaulic Design Data](#)
- [29.01: Victaulic Terms and Conditions of Sale](#)
- [I-100: Victaulic Field Installation Handbook](#)

---

### User Responsibility for Product Selection and Suitability

Each user bears final responsibility for making a determination as to the suitability of Victaulic products for a particular end-use application, in accordance with industry standards and project specifications, as well as Victaulic performance, maintenance, safety, and warning instructions. Nothing in this or any other document, nor any verbal recommendation, advice, or opinion from any Victaulic employee, shall be deemed to alter, vary, supersede, or waive any provision of Victaulic Company's standard conditions of sale, installation guide, or this disclaimer.

### Intellectual Property Rights

No statement contained herein concerning a possible or suggested use of any material, product, service, or design is intended, or should be construed, to grant any license under any patent or other intellectual property right of Victaulic or any of its subsidiaries or affiliates covering such use or design, or as a recommendation for the use of such material, product, service, or design in the infringement of any patent or other intellectual property right. The terms "Patented" or "Patent Pending" refer to design or utility patents or patent applications for articles and/or methods of use in the United States and/or other countries.

### Note

This product shall be manufactured by Victaulic or to Victaulic specifications. All products to be installed in accordance with current Victaulic installation/assembly instructions. Victaulic reserves the right to change product specifications, designs and standard equipment without notice and without incurring obligations.

### Installation

Reference should always be made to the Victaulic installation handbook or installation instructions of the product you are installing. Handbooks are included with each shipment of Victaulic products, providing complete installation and assembly data, and are available in PDF format on our website at [www.victaulic.com](http://www.victaulic.com).

### Warranty

Refer to the Warranty section of the current Price List or contact Victaulic for details.

### Trademarks

*Victaulic* and all other Victaulic marks are the trademarks or registered trademarks of Victaulic Company, and/or its affiliated entities, in the U.S. and/or other countries.