

# FireLock® Zone Control Riser Module

## SERIES 247

Designed for NFPA 13, 13D and 13R commercial and residential requirements, the Victaulic Series 247 Zone Control Riser Module features a cast body, and is compact and easy to install in zoned wet sprinkler systems. The integrated module body consists of a shut off valve, test and drain valve combination and different orifice sizes (K factors), a UL Listed and FM Approved Flow Switch, and a Pressure Gauge. The Series 247 FireLock Zone Control Riser Module is available in sizes from 1 through 2"/33.4 - 60.3mm. The 1" module has 1" FNPT ends on the main pipe. The 1¼" through 2" modules have grooved ends for installation in the horizontal or vertical up-flow positions with UL Listed, FM Approved Victaulic grooved couplings. Each module has a 1" NPT drain port.

The Series 247 FireLock Zone Control Riser Module is FM Approved for working pressures up to 365psi/2517 kPa and is UL and ULC Listed for working pressures up to 300psi/2065kPa. An optional pressure relief valve kit is available for all sizes. Pressure relief valve kit is FM Approved and UL and ULC Listed for working pressures up to 175psi/1200kPa.

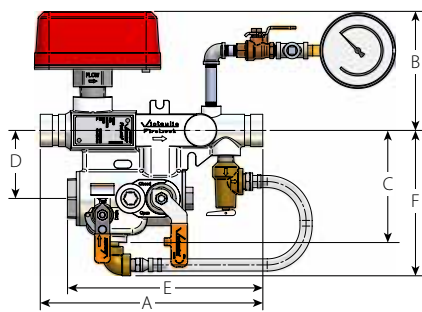


SEE VICTAULIC PUBLICATION 10.01 FOR DETAILS



STYLE 247  
PATENT PENDING

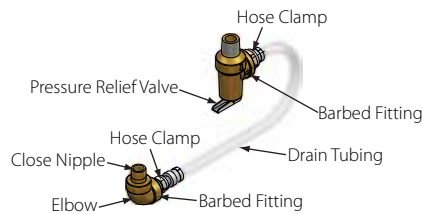
### DIMENSIONS



1 - 2"/25 - 50 mm Nominal Sizes

Module Body Size			Dimensions – Inches/mm							Aprx. Weight Each
Nominal Diameter Inches/mm	Actual Outside Diameter Inches/mm	Drain Size Inches/mm	A	B	C	D	E (Groove)	F	Lbs./kgs	
1 25	1.315 33.4	1 33.4	11.45 290.8	6.00 152.4	5.77 146.5	3.50 88.9	10.05 255.3	7.48 190.0	15.2 6.9	
1 ¼ 32	1.660 42.2	1 33.4	11.45 290.8	6.00 152.4	5.77 146.5	3.50 88.9	10.05 255.3	7.48 190.0	15.2 6.9	
1 ½ 40	1.900 48.3	1 33.4	11.45 290.8	6.13 155.7	5.77 146.5	3.50 88.9	10.05 255.3	7.48 190.0	15.5 7.0	
2 50	2.375 60.3	1 33.4	11.45 290.8	6.43 163.3	5.77 146.5	3.50 88.9	10.05 255.3	7.48 190.0	19.9 9.0	

(Valves shown above in the "test" position.  
Shown with Pressure Relief Valve Kit Installed)



Optional Pressure Relief Valve Kit Detail

Nominal Size inches	Orifices	
	K Factors	
1	K2.8, K3.0, K3.5, K4.2, K4.9, K5.6	
1.25	K2.8, K3.0, K3.5, K4.2, K4.9, K5.6	
1.5	K2.8, K3.0, K3.5, K4.2, K4.9, K5.6	
2	K2.8, K3.0, K3.5, K4.2, K4.9, K5.6	

Nominal Size inches	Drain Type	Drain Size
1	FNPT	1"
1.25	FNPT	1"
1.5	FNPT	1"
2	FNPT	1"

### JOB/OWNER

System No. \_\_\_\_\_  
Location \_\_\_\_\_

### CONTRACTOR

Submitted By \_\_\_\_\_  
Date \_\_\_\_\_

### ENGINEER

Spec Sect \_\_\_\_\_ Para \_\_\_\_\_  
Approved \_\_\_\_\_  
Date \_\_\_\_\_

www.victaulic.com

VICTAULIC IS A REGISTERED TRADEMARK OF VICTAULIC COMPANY. © 2012 VICTAULIC COMPANY. ALL RIGHTS RESERVED.

REV\_E



# FireLock® Zone Control Riser Module

SERIES 247

## MATERIAL SPECIFICATIONS

**Module Body:** Cast from ductile iron conforming to ASTM A-536, grade 65-45-12 with integral Victaulic grooved ends. Finish: orange enamel.

**Shut-off and Test/Drain Valve:** Chrome plated brass ball, S 37700 brass clapper, 416SS or 410SS shafts, Delrin orifice, virgin Teflon\*, enhanced Teflon and EPDM rubber seals.

\*Teflon is a registered trademark of Dupont

**Coupling:** Any UL Listed, FM Approved Victaulic coupling may also be used. Note: Couplings not included with product.

**Waterflow Detector:** System Sensor Model WFDTH vane type waterflow detector with sealed retard, visual switch activation, and mechanical delay adjustment. Cover includes tamper resistant security screws and tool. Note: ULC model WFDTHA includes cover tamper switch.

## WARRANTY



Refer to the Warranty section of the current Price List or contact Victaulic for details.

## NOTE

This product shall be manufactured by Victaulic or to Victaulic specifications. All products to be installed in accordance with current Victaulic installation/assembly instructions. Victaulic reserves the right to change product specifications, designs and standard equipment without notice and without incurring obligations.

## WARNING



 <b>WARNING</b>	
	<ul style="list-style-type: none"> <li>• <b>This product must be installed by an experienced, trained installer, in accordance with the instructions provided with each valve. These instructions contain important information.</b></li> </ul> <p>Failure to follow these instructions may result in serious personal injury, property damage, or valve leakage.</p> <p>If you need additional copies of this product literature or the valve installation instructions, or if you have any questions about the safe installation and use of this device, contact Victaulic Company, P.O. Box 31, Easton, PA 18044-0031 USA, Telephone: 001-610-559-3300.</p>

For complete contact information, visit [www.victaulic.com](http://www.victaulic.com)

10.97 5374 REV E UPDATED 1/2012

VICTAULIC IS A REGISTERED TRADEMARK OF VICTAULIC COMPANY. © 2012 VICTAULIC COMPANY. ALL RIGHTS RESERVED.

10.97

