

OGS-200 Roll Grooving Tool

Model RG1210



1.0 PRODUCT DESCRIPTION

Grooving Capability:

- 2 – 8"/DN50 – DN200

Application:

- Manual or power driven grooving tool
- Designed to provide an OGS-200 roll groove in Schedules 40 and 80 carbon steel pipe

Performance:

| Tool Ratings — Maximum Pipe Size and Wall Thickness Capacity | | Pipe Size | | | | | | | | | |
|--|---------------|------------------------------|----|------------|---------|----------|-------------------------|----------|-------------|----------|--|
| | | inches DN | | | | | | | | | |
| Model | Pipe Material | 2 50 | 2½ | 76.1 mm | 3 80 | 4 100 | 139.7 mm | 6 150 | 165.1 mm | 8 200 | |
| RG1210 | Carbon steel | Sch. 40 – 80 3.9 – 8.6 mm | | | | | Sch. 40 6.0 – 8.2 mm | | | | |

2.0 CERTIFICATION/LISTINGS

Manufactured by Victaulic Company

Compliant with the Essential Safety Requirements of 2006/42/EC - EU Machinery Directive

3.0 SPECIFICATIONS

Drive Requirements: Optional. Tool can be attached to a power drive

Power Requirements: None

ALWAYS REFER TO ANY NOTIFICATIONS AT THE END OF THIS DOCUMENT REGARDING PRODUCT INSTALLATION, MAINTENANCE OR SUPPORT.

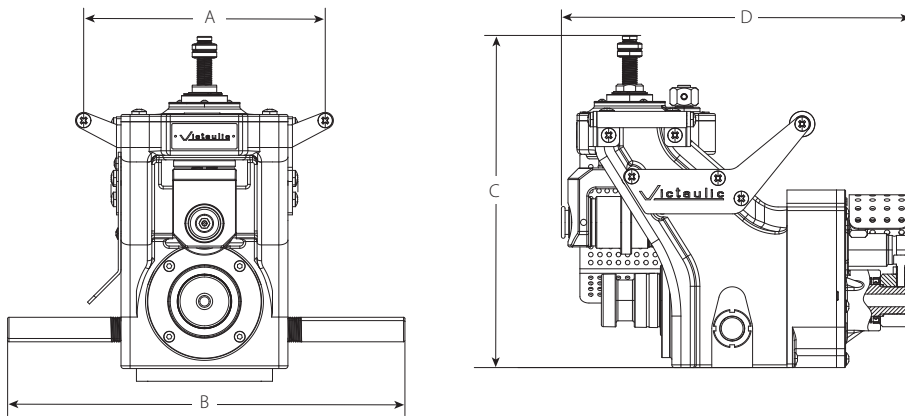
| | | | |
|--------------|--|----------|--|
| System No. | | Location | |
| Submitted By | | Date | |

| | | | |
|--------------|--|-----------|--|
| Spec Section | | Paragraph | |
| Approved | | Date | |

4.0 ACCESSORIES/COMPONENTS

- One (1) RG1210 Roll Grooving Tool
- One (1) 27 mm Deep Socket
- One (1) Adjustable Ratchet with Swivel Handle
- One (1) Roll Set for 2 – 3 inch pipe (attached to tool)
- One (1) Roll Set for 4 – 6 inch pipe
- One (1) Roll Set for for 8 inch pipe
- One (1) Power Drive Adapter
- Two (2) Support Arms
- One (1) Leg Assembly
- Hex Keys (4 mm, 8 mm and 10 mm)
- One (1) Go/No-Go Groove Diameter Cable
- One (1) Groove Confirmation Gauge Set
- Ten (10) Shear Pins
- One (1) Shear Pin Punch
- Two (2) Operating and Maintenance Instructions Manuals

5.0 DIMENSIONS



| Dimensions | | | | Weight |
|------------------------------|------------------------------|-----------------------------|----------------------------|-----------------------------------|
| A Width 1 inches mm | B Width 2 inches mm | C Height inches mm | D Depth inches mm | Approximate (Each) lb kg |
| 10.50 266 | 17.2 438 | 14.5 366 | 15.2 385 | 95 43 |

NOTE

- The RG1210 requires 9°/228 mm of 360 degree space for rotation around the pipe.

6.0 NOTIFICATIONS

WARNING



- Read and understand all instructions in the RG1210 Operating and Maintenance Manual.
- Wear safety glasses, hard hat, foot protection, and hearing protection when working around the tool.
- Failure to follow these instructions may cause improper product assembly and joint failure, resulting in serious personal injury and property damage.

Failure to follow all instructions and warnings could result in death or serious personal injury and property damage.

7.0 REFERENCE MATERIALS

[24.01: Pipe Preparation Tool Specifications](#)

[25.12: Victaulic OGS-200 Roll Groove Specifications](#)

[TM-RG1210: Operating and Maintenance Instructions Manual](#)

User Responsibility for Product Selection and Suitability

Each user bears final responsibility for making a determination as to the suitability of Victaulic products for a particular end-use application, in accordance with industry standards and project specifications, as well as Victaulic performance, maintenance, safety, and warning instructions. Nothing in this or any other document, nor any verbal recommendation, advice, or opinion from any Victaulic employee, shall be deemed to alter, vary, supersede, or waive any provision of Victaulic Company's standard conditions of sale, installation guide, or this disclaimer.

Intellectual Property Rights

No statement contained herein concerning a possible or suggested use of any material, product, service, or design is intended, or should be construed, to grant any license under any patent or other intellectual property right of Victaulic or any of its subsidiaries or affiliates covering such use or design, or as a recommendation for the use of such material, product, service, or design in the infringement of any patent or other intellectual property right. The terms "Patented" or "Patent Pending" refer to design or utility patents or patent applications for articles and/or methods of use in the United States and/or other countries.

Note

This product shall be manufactured by Victaulic or to Victaulic specifications. All products to be installed in accordance with current Victaulic installation/assembly instructions. Victaulic reserves the right to change product specifications, designs and standard equipment without notice and without incurring obligations.

Installation

Reference should always be made to the Victaulic installation handbook or installation instructions of the product you are installing. Handbooks are included with each shipment of Victaulic products, providing complete installation and assembly data, and are available in PDF format on our website at www.victaulic.com.

Warranty

Refer to the Warranty section of the current Price List or contact Victaulic for details.

Trademarks

Victaulic and all other Victaulic marks are the trademarks or registered trademarks of Victaulic Company, and/or its affiliated entities, in the U.S. and/or other countries.