

Victaulic® FireLock™ Series FL-QR/CNV

Standard Coverage, Quick Response

Conventional Sprinklers, K5.6 (8.1), K8.0 (11.5)



1.0 PRODUCT DESCRIPTION

QUICK RESPONSE CONVENTIONAL SPRINKLERS			
SIN	V2754	V2726	V8125
ORIENTATION	Conventional	Conventional	Conventional
K-FACTOR ¹	5.6 Imp./8.1 S.I.	5.6 Imp./8.1 S.I.	8.0 Imp./11.5 S.I.
CONNECTION	½" NPT/15 mm BSPT	½" NPT/15 mm BSPT	¾" NPT/ 20 mm BSPT
MAX. WORKING PRESSURE	300 psi (2100 kPa)	175 psi (1200 kPa)	175 psi (1200 kPa)
GLOBE RE-DESIGNATION	-	-	GL8125
GLOBE EQUIVALENT	-	GL5624	-

AVAILABLE GUARDS		
SPRINKLER	V2754	V2726
V27 CONVENTIONAL	■	■

AVAILABLE WRENCHES		
SPRINKLER	V27 Open End	V11 Open End
V2754 AND V2726	■	
V8125		■

Factory Hydrostatic Test: 100% @ 500 psi/3447 kPa/34 bar

Min. Operating Pressure: UL: 7 psi/48 kPa/.5 bar
 VdS: 5psi/35 kPa/.35 bar

Temperature Rating: See tables in [Section 2.0](#)

¹ For K-Factor when pressure is measured in bar, multiply S.I. units by 10.0.

ALWAYS REFER TO ANY NOTIFICATIONS AT THE END OF THIS DOCUMENT REGARDING PRODUCT INSTALLATION, MAINTENANCE OR SUPPORT.



2.0 CERTIFICATIONS/LISTINGS



0786

0832

CONVENTIONAL APPROVALS/LISTINGS			
SIN	V2754	V2726	V8125
Nominal K Factor Imperial	5.6 Imp.	5.6 Imp.	8.0 Imp.
Nominal K Factor S.I. ²	8.1 S.I.	8.1 S.I.	11.5 S.I.
Orientation	Conventional	Conventional	Conventional
APPROVED TEMPERATURE RATINGS F°/C°			
cULus	135°F/57°C 155°F/68°C 175°F/79°C 200°F/93°C 286°F/141°C	135°F/57°C 155°F/68°C 175°F/79°C 200°F/93°C 286°F/141°C	135°F/57°C 155°F/68°C 175°F/79°C 200°F/93°C 286°F/141°C
LPCB	-	135°F/57°C 155°F/68°C 175°F/79°C 200°F/93°C 286°F/141°C	135°F/57°C 155°F/68°C 175°F/79°C 200°F/93°C 286°F/141°C
CE, UKCA	-	135°F/57°C 155°F/68°C 175°F/79°C 200°F/93°C 286°F/141°C	-
VdS	-	135°F/57°C 155°F/68°C 175°F/79°C 200°F/93°C 286°F/141°C	-

² For K-Factor when pressure is measured in bar, multiply S.I. units by 10.

NOTES

- Reference the specific agency website listings for the most up-to-date certification information.
- Not to be used with recessed escutcheons.
- New York City Acceptance - All UL Listed and/or FM Approved sprinklers acceptable to NYC per section 28-113 of the Administrative Code and the OTCR Rule.

3.0 SPECIFICATIONS – MATERIAL

Deflector: Bronze

Bulb Nominal Diameter: 3.0 mm

Load Screw: Bronze

Pip Cap: Bronze

Spring Seal: PTFE Coated Beryllium Nickel Alloy

Frame: Brass

Lodgement Spring: Stainless Steel

Installation Wrench: Ductile Iron

Sprinkler Frame Finishes:

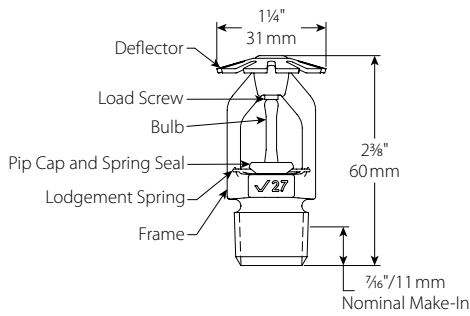
- Plain Brass
- Chrome Plated
- White Polyester Painted³
- Flat Black Polyester Painted³
- Custom Polyester Painted³
- VC-250³

³ UL Listed for corrosion resistance.

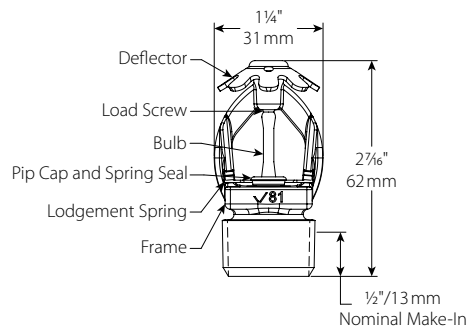
NOTE

- For cabinets and other accessories refer to separate sheet.

4.0 DIMENSIONS



V2754, V2726



V8125

5.0 PERFORMANCE

Sprinkler systems are to be designed to and installed per NFPA, FM Datasheets, and any local standards.

6.0 NOTIFICATIONS

WARNING



- Read and understand all instructions before attempting to install any Victaulic products.
- Always verify that the piping system has been completely depressurized and drained immediately prior to installation, removal, adjustment, or maintenance of any Victaulic products.
- Wear safety glasses, hardhat, and foot protection.

Failure to follow these instructions could result in death or serious personal injury and property damage.

- These products shall be used only in fire protection systems that are designed and installed in accordance with current, applicable National Fire Protection Association (NFPA) standards, or equivalent standards, and in accordance with applicable building and fire codes. These standards and codes contain important information regarding protection of systems from freezing temperatures, corrosion, mechanical damage, etc.
- The installer shall understand the use of this product and why it was specified for the particular application.
- The installer shall understand common industry safety standards and potential consequences of improper product installation.
- It is the system designer's responsibility to verify suitability of materials for use with the intended fluid media within the piping system and external environment.
- The material specifier shall evaluate the effect of chemical composition, pH level, operating temperature, chloride level, oxygen level, and flow rate on materials to confirm system life will be acceptable for the intended service.

Failure to follow installation requirements and local and national codes and standards could compromise system integrity or cause system failure, resulting in death or serious personal injury and property damage.

7.0 REFERENCE MATERIALS

Ratings: All glass bulbs are rated for temperatures from -67°F/-55°C.

[1-40: Victaulic® FireLock™ Automatic Sprinklers Installation and Maintenance Instructions](#)

[1-V9: Style V9 Victaulic® FireLock™ IGS™ Installation-Ready™ Sprinkler Coupling Installation Instructions](#)

User Responsibility for Product Selection and Suitability

Each user bears final responsibility for determining the suitability of Victaulic products for their end-use application, in accordance with industry standards, project specifications, and Victaulic's published performance, maintenance, and safety data, as well as all warnings and installation instructions. Nothing in this or any other document, nor any verbal recommendation, advice, or opinion from any Victaulic employee, shall be deemed to alter, vary, supersede, or waive any provision of Victaulic Company's standard conditions of sale, warranty, installation instructions, or this disclaimer.

Installation

Always refer to and follow the [Victaulic Installation Handbook](#) or installation instructions for the product you are installing. Handbooks are included with each shipment of Victaulic products, providing complete installation and assembly data, and are available in PDF format on our website at victaulic.com.

Warranty

Refer to the Warranty section of the current Price List or contact Victaulic for details.

Intellectual Property Rights

No statement concerning the use of any material, product, service, or design is intended, or should be construed, to grant any license under any patent or other intellectual property right of Victaulic or any of its affiliates, or as a recommendation for the use of such material, product, service, or design in the infringement of any patent or other intellectual property right. The terms "Patented" or "Patent Pending" refer to design or utility patents or patent applications for articles and/or methods of use in the United States and/or other countries. Victaulic and all other Victaulic marks are the trademarks or registered trademarks of Victaulic Company, and/or its affiliated entities, in the U.S. and/or other countries.

Note

All products bearing a Victaulic trademark are manufactured by Victaulic or to Victaulic specifications. All products are to be installed only in accordance with the applicable Victaulic installation instructions. Victaulic reserves the right to change product specifications, designs and standard equipment without notice and without incurring obligations.