

Victaulic® FireLock™ Series FL-SR/ST/INT

Storage, Standard Response

Upright and Pendent Sprinklers

K5.6 (8.1), K8.0 (11.5), K11.2 (16.0)



1.0 PRODUCT DESCRIPTION

STANDARD RESPONSE INTERMEDIATE UPRIGHT SPRINKLERS						
SIN	V2703		V3401		V3403	
ORIENTATION	Intermediate Upright	Upright with Guard and Shield	Intermediate Upright	Upright with Guard and Shield	Intermediate Upright	Upright with Guard and Shield
K-FACTOR ¹	5.6 Imp./8.1 S.I.	5.6 Imp./8.1 S.I.	8.0 Imp./11.5 S.I.		11.2 Imp./16.0 S.I.	
CONNECTION	½" NPT/ 15 mm BSPT/IGS	½" NPT/ 15 mm BSPT/IGS	¾" NPT/20mm BSPT/IGS		¾" NPT/20mm BSPT/IGS	
MAX. WORKING PRESSURE	175 psi (1200 kPa) cULus 250 psi (1725 kPa)	175 psi (1200 kPa)	175 psi (1200 kPa)		175 psi (1200 kPa)	

STANDARD RESPONSE PENDENT SPRINKLERS			
SIN	V2707	V3405	V3407
ORIENTATION	Pendent	Pendent	Pendent
K-FACTOR ¹	5.6 Imp./8.1 S.I.	8.0 Imp./11.5 S.I.	11.2 Imp./16.0 S.I.
CONNECTION	½" NPT/ 15 mm BSPT/IGS	¾" NPT/ 20 mm BSPT/IGS	¾" NPT/ 20 mm BSPT/IGS
MAX. WORKING PRESSURE	175 psi (1200 kPa) cULus 250 psi (1725 kPa)	175 psi (1200 kPa)	175 psi (1200 kPa)

AVAILABLE GUARDS/SHIELDS		
SPRINKLER	V27	V34
UPRIGHT	■	■
PENDENT	■	■

AVAILABLE WRENCHES			
SPRINKLER	V27 Open End	V34 Open End	⅜ Hex-Bit (V9)
UPRIGHT	■	■	■
PENDENT	■	■	■

Factory Hydrostatic Test: 100% @ 500 psi/3447 kPa/34 bar

Min. Operating Pressure: UL/FM: 7 psi/48 kPa/.5 bar

Temperature Rating: See tables in [Section 2.0](#)

¹ For K-Factor when pressure is measured in bar, multiply S.I. units by 10.0.

ALWAYS REFER TO ANY NOTIFICATIONS AT THE END OF THIS DOCUMENT REGARDING PRODUCT INSTALLATION, MAINTENANCE OR SUPPORT.

2.0 CERTIFICATION/LISTINGS



INTERMEDIATE UPRIGHT APPROVALS/LISTINGS						
SIN	V2703		V3401		V3403	
Nominal K Factor Imperial	5.6		8		11.2	
Nominal K Factor S.I. ²	8.1		11.5		16.0	
Orientation	Intermediate Upright	Upright with Guard and Shield	Intermediate Upright	Upright with Guard and Shield	Intermediate Upright	Upright with Guard and Shield
Approved Temperature Ratings F°/C°						
cULus	135°F/57°C		135°F/57°C		135°F/57°C	
	155°F/68°C		155°F/68°C		155°F/68°C	
	175°F/79°C		175°F/79°C		175°F/79°C	
	200°F/93°C		200°F/93°C		200°F/93°C	
	286°F/141°C		286°F/141°C		286°F/141°C	
FM	360°F/182°C		360°F/182°C		-	
	135°F/57°C		135°F/57°C		135°F/57°C	
	155°F/68°C		155°F/68°C		155°F/68°C	
	175°F/79°C		175°F/79°C		175°F/79°C	
	200°F/93°C		200°F/93°C		200°F/93°C	
286°F/141°C		286°F/141°C		286°F/141°C		
360°F/182°C		360°F/182°C		-		

² For K-Factor when pressure is measured in bar, multiply S.I. units by 10.0.

PENDENT APPROVALS/LISTINGS			
SIN	V2707	V3405	V3407
Nominal K Factor Imperial	5.6	8	11.2
Nominal K Factor S.I. ²	8.1	11.5	16.0
Orientation	Intermediate Pendant	Intermediate Pendant	Intermediate Pendant
Approved Temperature Ratings F°/C°			
cULus	135°F/57°C	135°F/57°C	135°F/57°C
	155°F/68°C	155°F/68°C	155°F/68°C
	175°F/79°C	175°F/79°C	175°F/79°C
	200°F/93°C	200°F/93°C	200°F/93°C
	286°F/141°C	286°F/141°C	286°F/141°C
FM	360°F/182°C	360°F/182°C	-
	135°F/57°C	135°F/57°C	135°F/57°C
	155°F/68°C	155°F/68°C	155°F/68°C
	175°F/79°C	175°F/79°C	175°F/79°C
	200°F/93°C	200°F/93°C	200°F/93°C
286°F/141°C	286°F/141°C	286°F/141°C	

² For K-Factor when pressure is measured in bar, multiply S.I. units by 10.0.

NOTE

- Reference the specific agency website listings for the most up-to-date certification information.

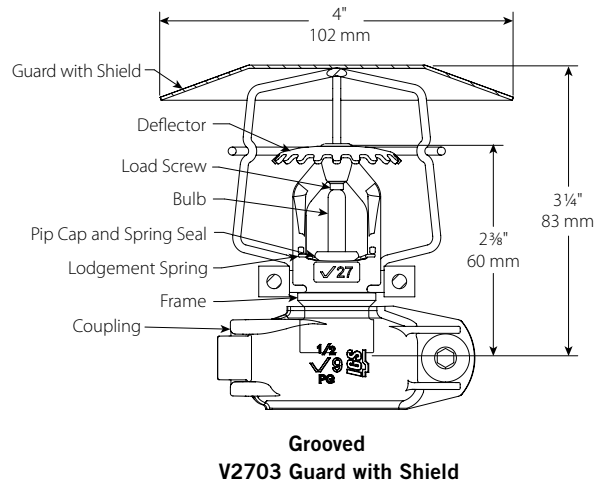
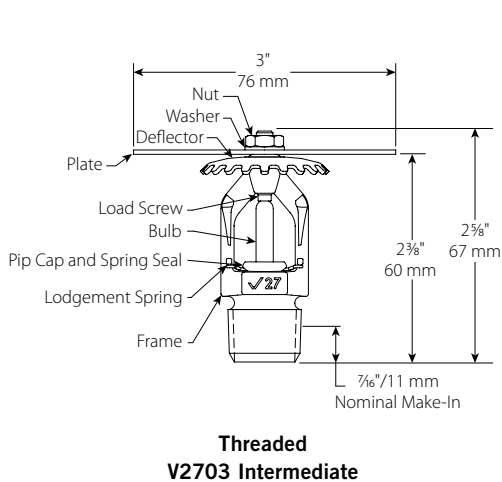
3.0 SPECIFICATIONS – MATERIAL

- Deflector:** Bronze
- Bulb Nominal Diameter:** 3.0 mm
- Load Screw:** Bronze
- Pip Cap:** Bronze
- Spring Seal Assembly:** PTFE coated Beryllium Nickel Alloy
- Frame:** Brass
- Lodgement Spring:** Stainless Steel
- Nut:** Stainless Steel
- Washer:** Nylon
- Guard:** Steel
- Plate:** Steel or Brass
- O-Ring:** EPDM
- Coupling:** Refer to Victaulic [Publication 10.65](#)
- Installation Wrench:** Ductile Iron
- Sprinkler Frame Finishes:** Plain Brass

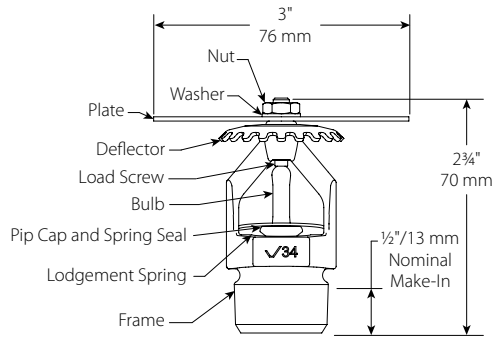
NOTE

- For cabinets and other accessories refer to separate sheet.

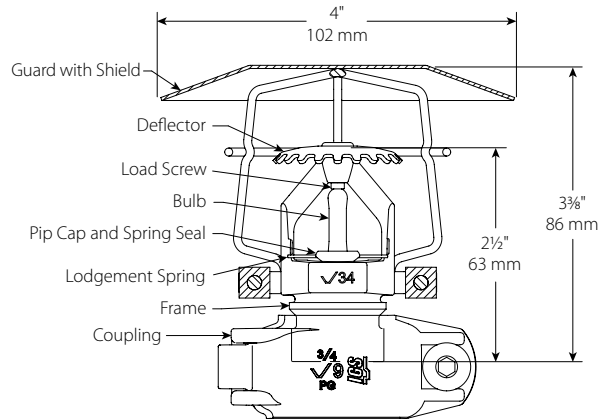
4.0 DIMENSIONS



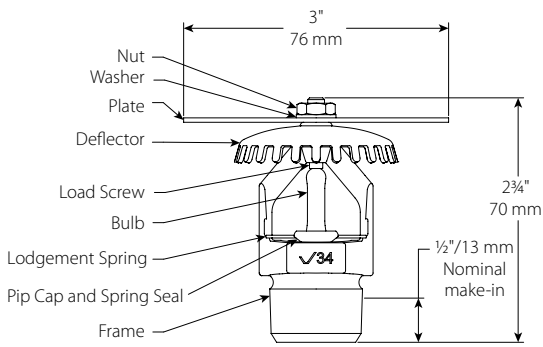
4.0 DIMENSIONS (CONTINUED)



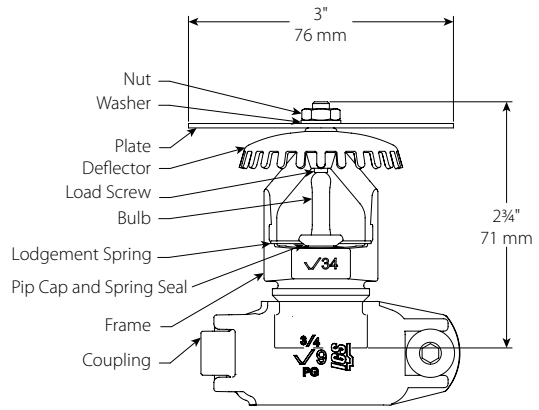
**Threaded
V3401 Intermediate**



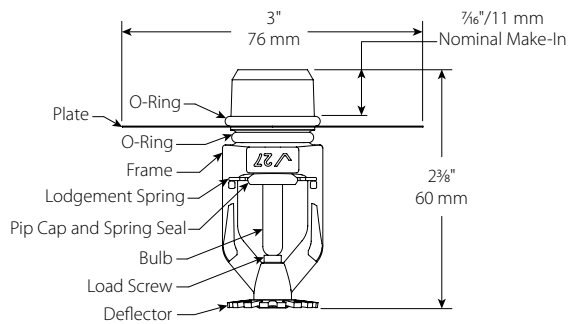
**Grooved
V3401 Guard with Shield**



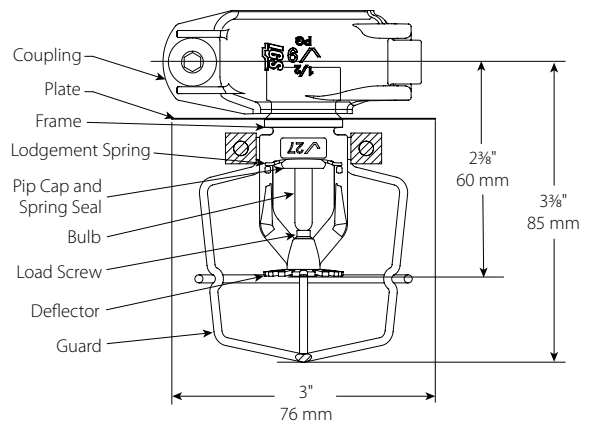
**Threaded
V3403 Intermediate**



**Grooved
V3403 Intermediate**

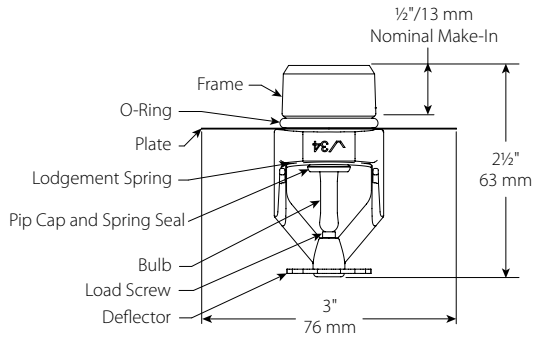


**Threaded
V2707 Intermediate**

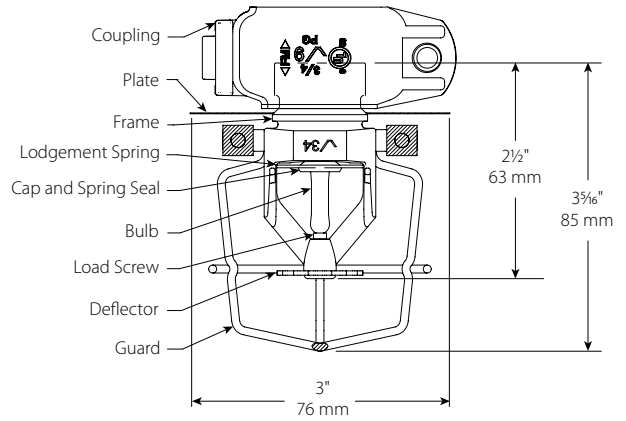


**Grooved
V2707 Intermediate with Guard**

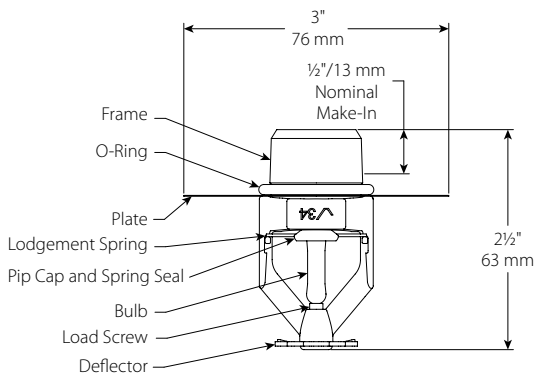
4.0 DIMENSIONS (CONTINUED)



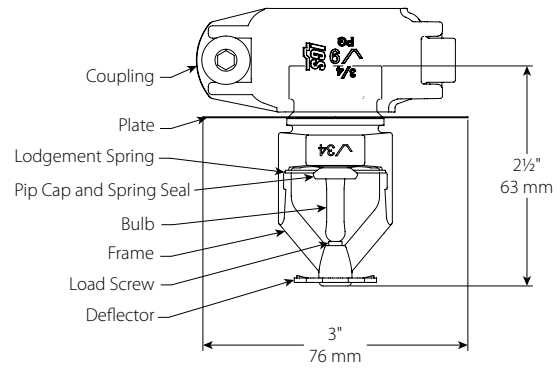
**Threaded
V3405 Intermediate**



**Grooved
V3405 Intermediate with Guard**



**Threaded
V3407 Intermediate**



**Grooved
V3407 Intermediate**

5.0 PERFORMANCE

Sprinkler systems are to be designed to and installed per NFPA, FM Datasheets, and any local standards.

6.0 NOTIFICATIONS

WARNING



- Read and understand all instructions before attempting to install any Victaulic products.
- Always verify that the piping system has been completely depressurized and drained immediately prior to installation, removal, adjustment, or maintenance of any Victaulic products.
- Wear safety glasses, hardhat, and foot protection.

Failure to follow these instructions could result in death or serious personal injury and property damage.

- These products shall be used only in fire protection systems that are designed and installed in accordance with current, applicable National Fire Protection Association (NFPA) standards, or equivalent standards, and in accordance with applicable building and fire codes. These standards and codes contain important information regarding protection of systems from freezing temperatures, corrosion, mechanical damage, etc.
- The installer shall understand the use of this product and why it was specified for the particular application.
- The installer shall understand common industry safety standards and potential consequences of improper product installation.
- It is the system designer's responsibility to verify suitability of materials for use with the intended fluid media within the piping system and external environment.
- The material specifier shall evaluate the effect of chemical composition, pH level, operating temperature, chloride level, oxygen level, and flow rate on materials to confirm system life will be acceptable for the intended service.

Failure to follow installation requirements and local and national codes and standards could compromise system integrity or cause system failure, resulting in death or serious personal injury and property damage.

7.0 REFERENCE MATERIALS

Ratings: All glass bulbs are rated for temperatures from -67°F/-55°C.

[1-40: Victaulic® FireLock™ Automatic Sprinklers Installation and Maintenance Instructions](#)

[I-V9: Style V9 Victaulic® FireLock™ IGS™ Installation-Ready™ Sprinkler Coupling Installation Instructions](#)

User Responsibility for Product Selection and Suitability

Each user bears final responsibility for determining the suitability of Victaulic products for their end-use application, in accordance with industry standards, project specifications, and Victaulic's published performance, maintenance, and safety data, as well as all warnings and installation instructions. Nothing in this or any other document, nor any verbal recommendation, advice, or opinion from any Victaulic employee, shall be deemed to alter, vary, supersede, or waive any provision of Victaulic Company's standard conditions of sale, warranty, installation instructions, or this disclaimer.

Installation

Always refer to and follow the [Victaulic Installation Handbook](#) or installation instructions for the product you are installing. Handbooks are included with each shipment of Victaulic products, providing complete installation and assembly data, and are available in PDF format on our website at [victaulic.com](#).

Warranty

Refer to the Warranty section of the current Price List or contact Victaulic for details.

Intellectual Property Rights

No statement concerning the use of any material, product, service, or design is intended, or should be construed, to grant any license under any patent or other intellectual property right of Victaulic or any of its affiliates, or as a recommendation for the use of such material, product, service, or design in the infringement of any patent or other intellectual property right. The terms "Patented" or "Patent Pending" refer to design or utility patents or patent applications for articles and/or methods of use in the United States and/or other countries. Victaulic and all other Victaulic marks are the trademarks or registered trademarks of Victaulic Company, and/or its affiliated entities, in the U.S. and/or other countries.

Note

All products bearing a Victaulic trademark are manufactured by Victaulic or to Victaulic specifications. All products are to be installed only in accordance with the applicable Victaulic installation instructions. Victaulic reserves the right to change product specifications, designs and standard equipment without notice and without incurring obligations.