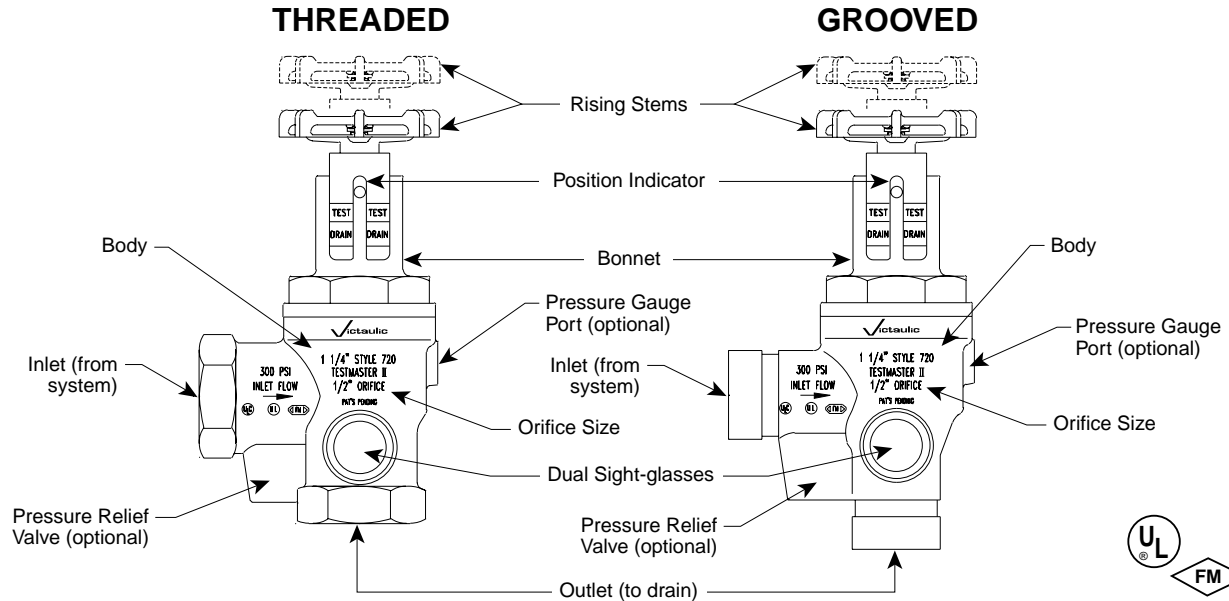



PRODUCT FEATURES



IMPORTANT INSTALLATION INFORMATION



! WARNING

- Always depressurize and drain piping systems before attempting to remove or install any Victaulic piping products. Failure to follow this instruction could result in serious personal injury, property damage, and/or joint leakage.

Before installing the TestMaster™ II Alarm Test Module, make sure there is adequate clearance for the rising shaft and handle. Leave a minimum of 3 inches (76,2 mm) above the handle when it is in the closed position. Ensure that the installed position will allow clear view of the sight-glasses.

INSTALLING THE THREADED-END STYLE

1. Inspect the TestMaster II Alarm Test Module, and verify that it contains the correct size orifice (marked on the side of the body) for the application. **NOTE:** The TestMaster II is supplied standard with a 1/2-inch orifice.
2. Prepare the threaded pipe end or nipple with thread sealant for the inlet connection. Thread the pipe end or nipple into the inlet of the TestMaster II body, and connect the assembly to the cross or feed main.
3. Prepare the threaded pipe end or nipple with thread sealant for the drain connection. Thread the pipe end or nipple into the outlet of the TestMaster II body, and connect the assembly to the system drain.
4. If a pressure gauge is required, apply thread sealant to the gauge, and connect it to the gauge port. This port can be used to pressure test the system.

INSTALLING THE GROOVED-END STYLE

1. Inspect the TestMaster II Alarm Test Module, and verify that it contains the correct size orifice (marked on the side of the body) for the application. **NOTE:** The TestMaster II is supplied standard with a 1/2-inch orifice.
2. Follow the appropriate installation instructions for the Victaulic coupling selected (Style 005, Style 07, Style 75, Style 77, etc.).
3. If a pressure gauge is required, apply thread sealant to the gauge, and connect it to the gauge port. This port can be used to pressure test the system.

This product shall be manufactured by Victaulic Company. All products to be installed in accordance with current Victaulic installation/assembly instructions. Victaulic reserves the right to change product specifications, designs and standard equipment without notice and without incurring obligations.

Installation Instructions

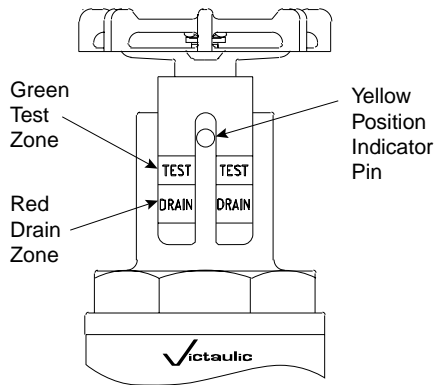
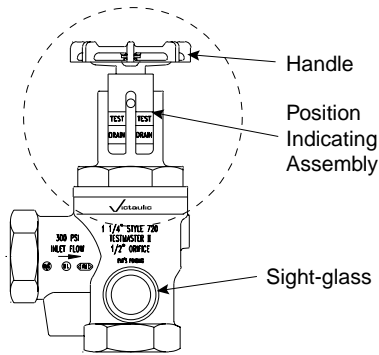


Figure 1
Closed

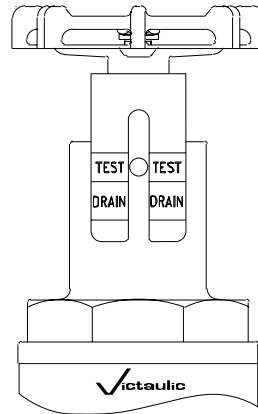


Figure 2
Test Position

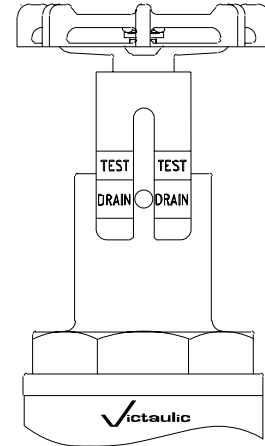


Figure 3
Drain Position

TESTING THE ZONE/SYSTEM

1. make sure the valve is in the closed position (Figure 1) and that no water is flowing from the zone/system.
2. Open the valve to the “test” position by turning the handle counterclockwise until the yellow indicator pin is within the green “test” area, as shown in Figure 2. **DO NOT** go beyond this point.
3. Look into the sight-glass to confirm that water is flowing.
4. After completing the test, turn the handle clockwise until the valve closes and water stops flowing. **NOTE:** Water pressure assists in closing the valve. **DO NOT** over-tighten the handle.

DRAINING THE ZONE/SYSTEM

1. Make sure the valve is in the closed position (Figure 1) and that no water is flowing from the zone/system.
2. Open the valve to the “drain” position by turning the handle counterclockwise until the yellow indicator pin is within the red “drain” area, as shown in Figure 3.
3. Look into the sight-glass to confirm that water is flowing.
4. After the zone/system is drained, turn the handle clockwise until the valve closes and water stops flowing. **NOTE:** Water pressure assists in closing the valve. **DO NOT** over-tighten the handle.