



SPRINKLER FITTING SYSTEMS

SERIES AH1
BRAIDED FLEXIBLE HOSE



confidence
speed
performance

➤ FLEXIBLE FITTINGS

SUSPENDED CEILING

HARD-LID CEILING

SPECIALTY APPLICATIONS

PRE-ASSEMBLED SYSTEMS

- › 100% KINK RESISTANCE
- › FM AND VDS APPROVED, CULUS LISTED
- › 100% VICTAULIC® DESIGN AND MANUFACTURING

- › UP TO 10x FASTER THAN THREADED BLACK PIPE
- › ELIMINATE MESSY CUTTING TOOLS
- › ELIMINATE CUSTOM ARM-OVER FABRICATION

- › STATE-OF-THE-ART LEAK TESTING
- › TAMPER-RESISTANT INSTALLATION
- › HIGHEST QUALITY MANUFACTURING AND TESTING





SPRINKLER FITTING SYSTEMS

SERIES AH1
BRAIDED FLEXIBLE HOSE

The Clear Choice for fast, dependable sprinkler installation.

Victaulic®, the originator of grooved pipe assembly technology, brings more than 95 years of quality and innovation to provide you with the fastest, easiest, most consistent sprinkler installation technology available today.

SINGLE SOURCE CONFIDENCE

- › vertically integrated manufacturing—Victaulic® can provide the entire system from the branch fitting to the sprinkler head
- › automated weld technology
- › multi-step automated leak testing

EASE OF INSTALLATION




- › 100% kink resistance
- › 90° elbows available for greater installation advantage

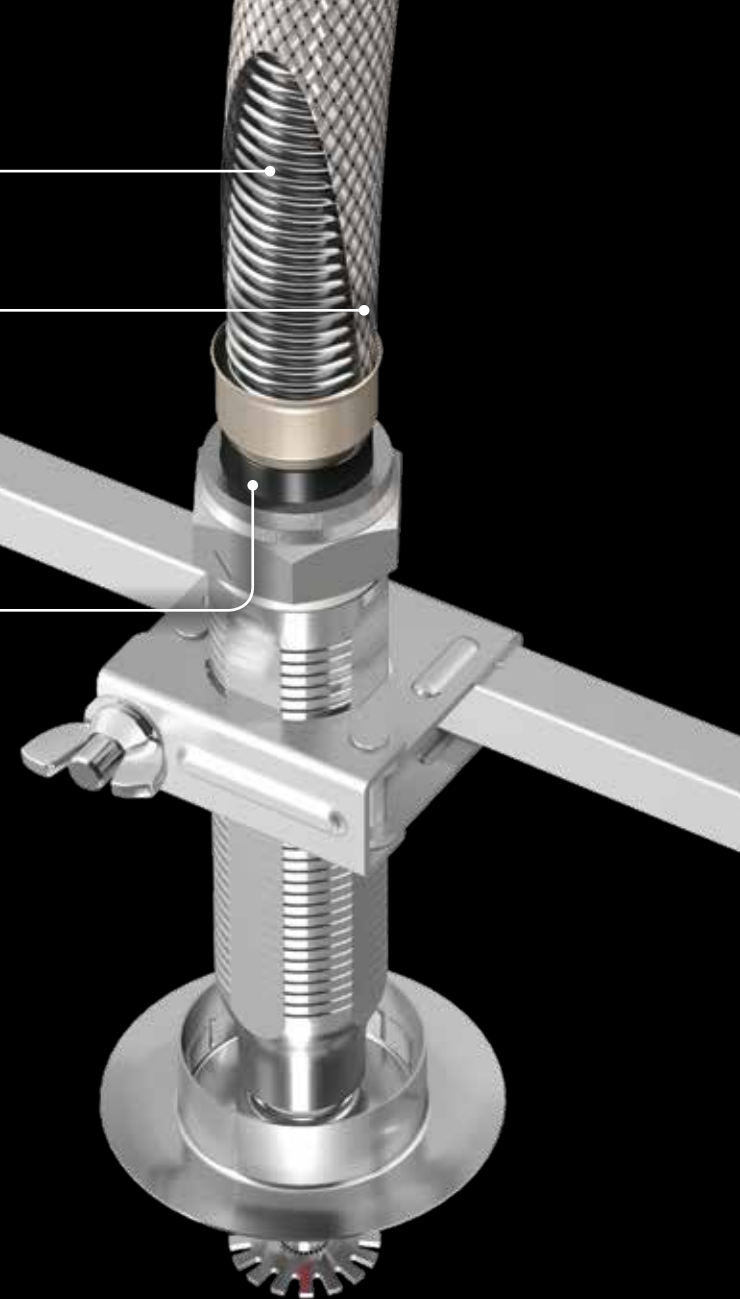
EASE OF BENDING

- › improved corrugation reduces effort needed to bend hose

PROPRIETARY GASKET TECHNOLOGY

- › Victaulic® material composition and manufacturing
- › leak-free performance

APPROVALS	APPLICATIONS	MINIMUM BEND RADIUS
	T-Grid, Wood/ Metal Studs, Hat Channel, CD Profile,	7" 178mm
	Institutional, Armstrong® Tech-Zone™	3" 76.2mm
	T-Grid, Wood/ Metal Studs, Armstrong® Tech-Zone™	3" 76.2mm



PB-AH1 8294 REV A 08/2014

Victaulic and all other trademarks used herein are trademarks or registered trademarks of Victaulic Company, and/or its affiliated entities, in the U.S. and/or other countries. The terms "Patented" or "Patent Pending" refer to design or utility patents or patent applications for articles and/or methods of use in the United States and/or other countries.

© 2014 VICTAULIC COMPANY. ALL RIGHTS RESERVED.

Visit VictaulicFire.com/VicFlex
to learn more about the VicFlex
system or to request a demo.

