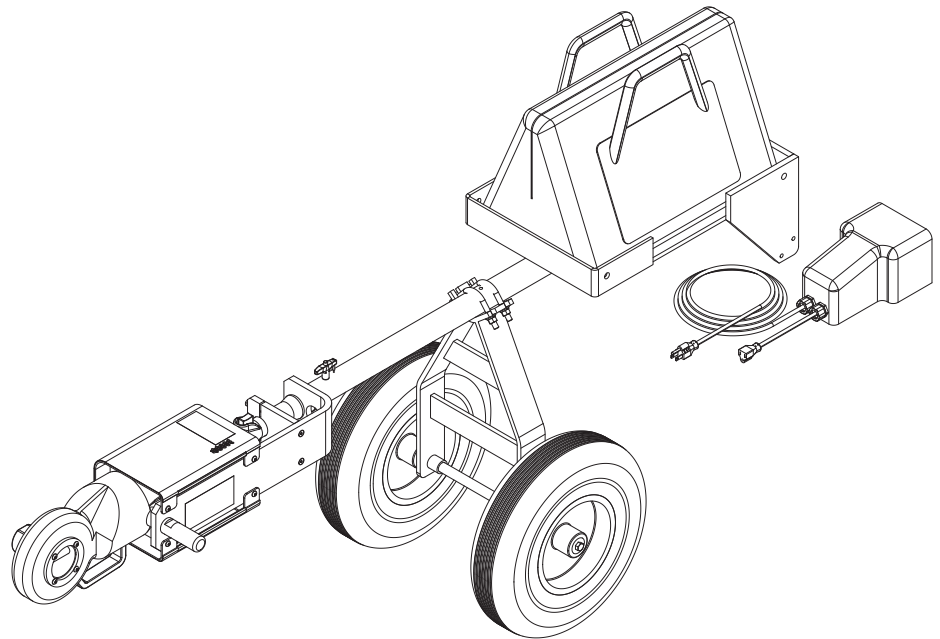


Power Mule II



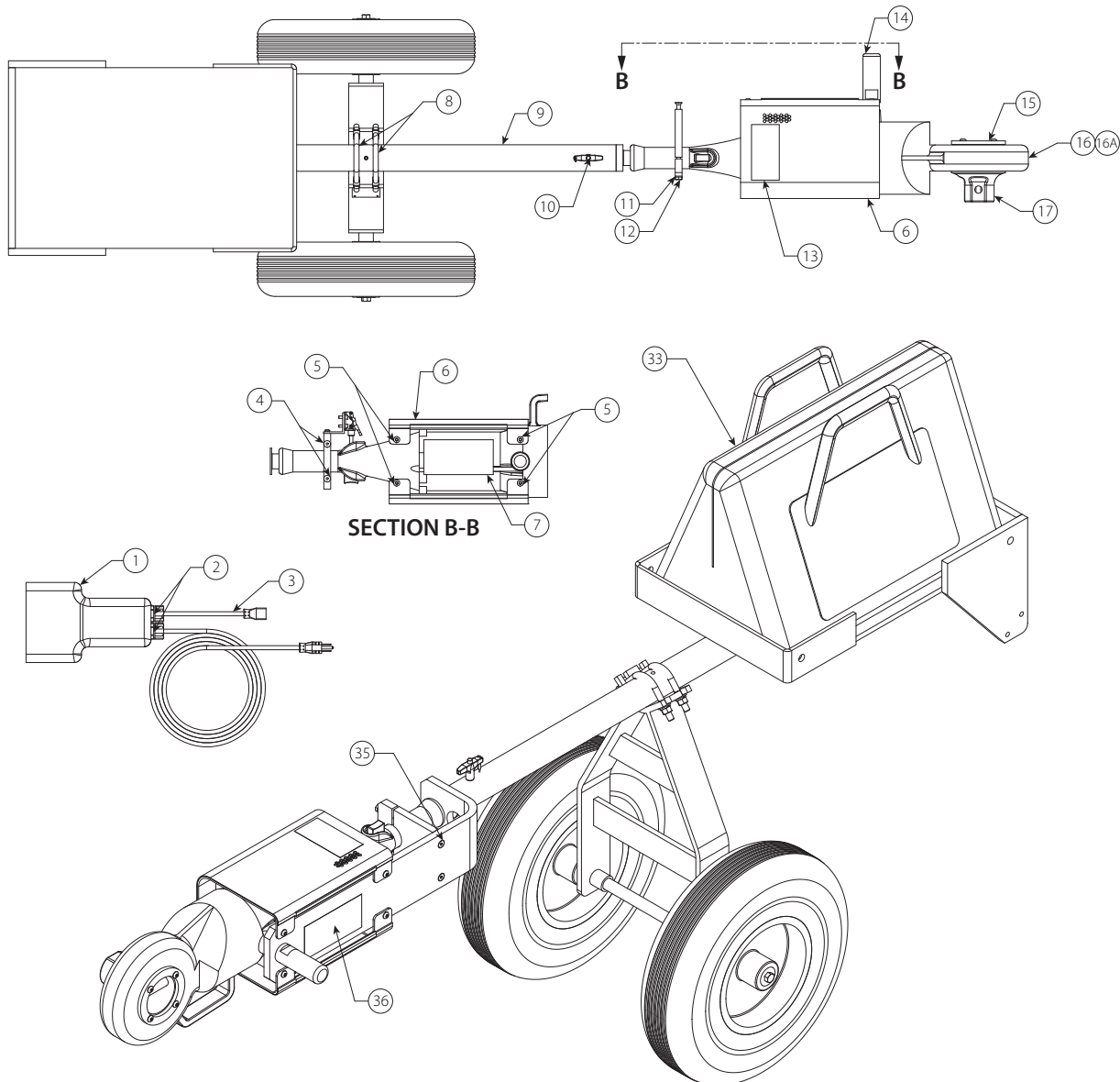
PARTS ORDERING INFORMATION

When ordering parts, the following information is necessary for Victaulic to process the order promptly:

1. Tool Model Number – Power Mule II
2. Tool Serial Number – The Serial Number can be found on the side of the tool.
3. Quantity, Item Number, Part Number, Description
4. Where to send the part(s) – Company Name and Address
5. To whose attention to send the part(s)
6. Purchase Order Number

Parts may be ordered from your nearest Victaulic Sales Office.

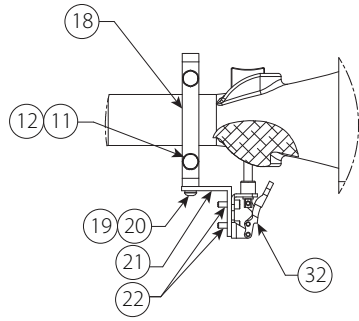
Power Mule II



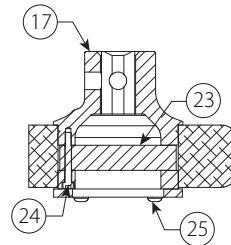
Item#	Part #	Qty.	Description
1	N-E03-000-002	1	Footswitch
2	N-E06-000-001	2	½ Dia. Liquid-Tight Cord Connector
3	N-E04-000-011	1	15-foot Length Extension Cord
4	R-220-700-ASY	1	Support Swivel Assembly
5	N-S03-040-012	4	¼ - 20 x ¾ Socket Hd. Cap Screw
6	R-207-700-PNT	1	Heat Guard
7	R-209-700-LBL	1	Identification Label
8	R-202-700-PLT	2	U-Bolt
9	R-201-700-PNT	1	Spine
10	N-M16-000-004	1	Quick Release Pin with Lanyard
11	N-W03-040-000	2	¼ Helical Spring-Lock Carbon Steel Washer
12	N-S01-040-112	2	¼ - 20 x 1¼ Hex Bolt
13	R-213-700-LBL	1	Direction Label
14	R-203-700-PLT	1	Mounting Handle
15	R-231-700-PLT	1	Retaining Washer
16	N-M50-000-002	1	Power Drive (110-Volt)
16A	N-M50-000-005	1	Power Drive (220-Volt)
17	R-208-700-PNT	1	Drive Bushing
18	R-204-700-PNT	1	Handle Clamp

Item#	Part #	Qty.	Description
19	N-W03-010-000	2	#10 Helical Spring-Lock Carbon Steel Washer
20	N-S03-010-008	2	#10 - 24 x ½ Hex Socket Button Hd. Cap Screw
21	R-232-700-PNT	1	Switch Bracket
22	N-S03-008-010	2	#8 - 32 x ½ Self-Locking Hex Socket Button Hd. Cap Screw
23	R-214-700-PLT	1	Drive Key
24	-	1	#10 - 32 x 1 ½ x ⅞ Thread Hex Socket Hd. Cap Screw
25	N-S03-040-010	4	¼ - 20 x ⅝ Hex Socket Button Hd. Cap Screw
26	R-069-272-LAB	1	Nameplate
27	N-N01-060-000	4	¾ - 16 Hex Nut
28	R-210-700-ASY	1	Saddle Assembly
29	N-M05-000-008	2	Wheel
30	N-S01-060-100	2	¾ - 16 x 1 Hex Hd. Cap Screw
31	N-W01-060-001	2	¾ Flat Washer
32	N-M13-000-007	1	Clamp
33	N-M15-000-002	1	Tool Bag
34	R-230-700-PNT	2	Shipping Bracket (Not Shown)
35	N-S18-040-012	2	¼ - 20 x 1 Flat Countersunk Hex Socket Hd. Screw
36	R-031-272-LAB	1	Instructions Warning Label

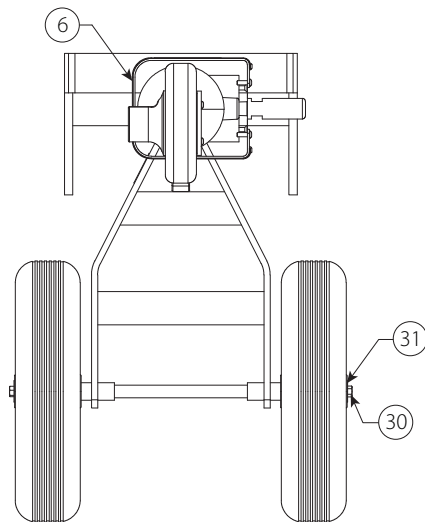
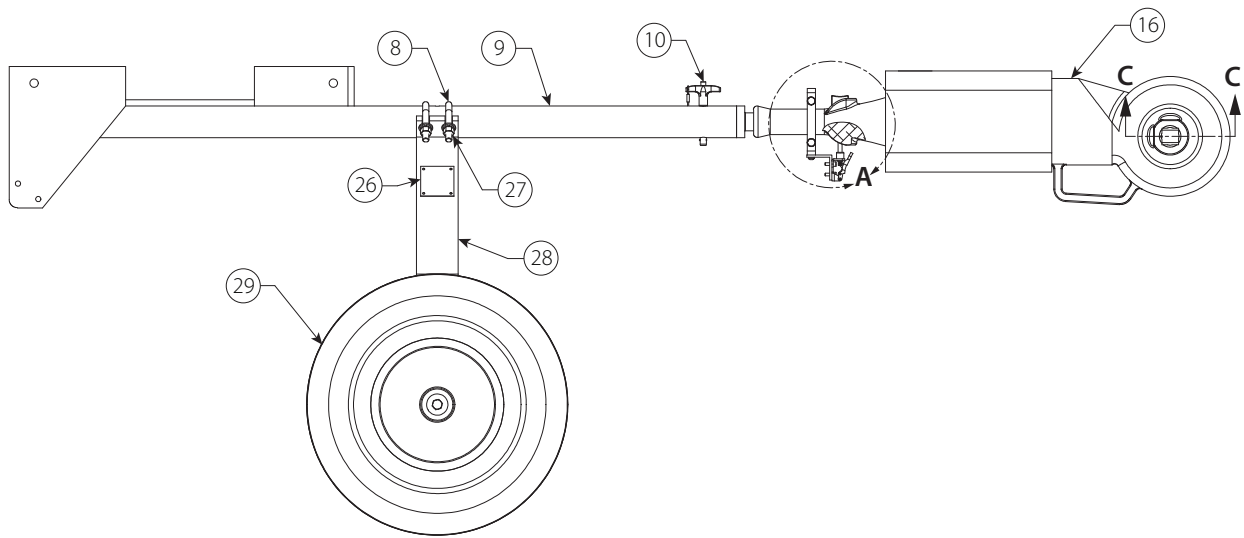
Power Mule II



DETAIL A



SECTION C-C



Power Mule II

For complete contact information, visit www.victaulic.com

RP-PMII 4585 REV B UPDATED 08/2012 RP00PM2000

VICTAULIC IS A REGISTERED TRADEMARK OF VICTAULIC COMPANY. © 2012 VICTAULIC COMPANY. ALL RIGHTS RESERVED. PRINTED IN THE USA.

RP-PMII

