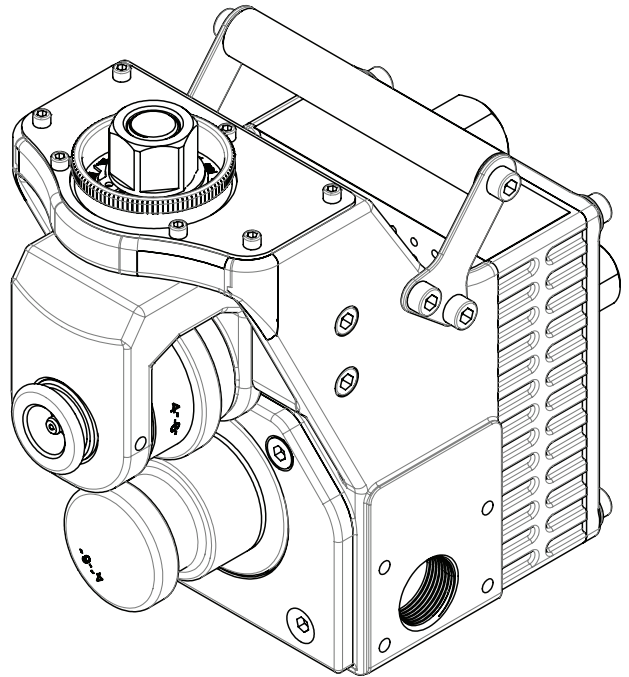

RG1200 Roll Grooving Tool

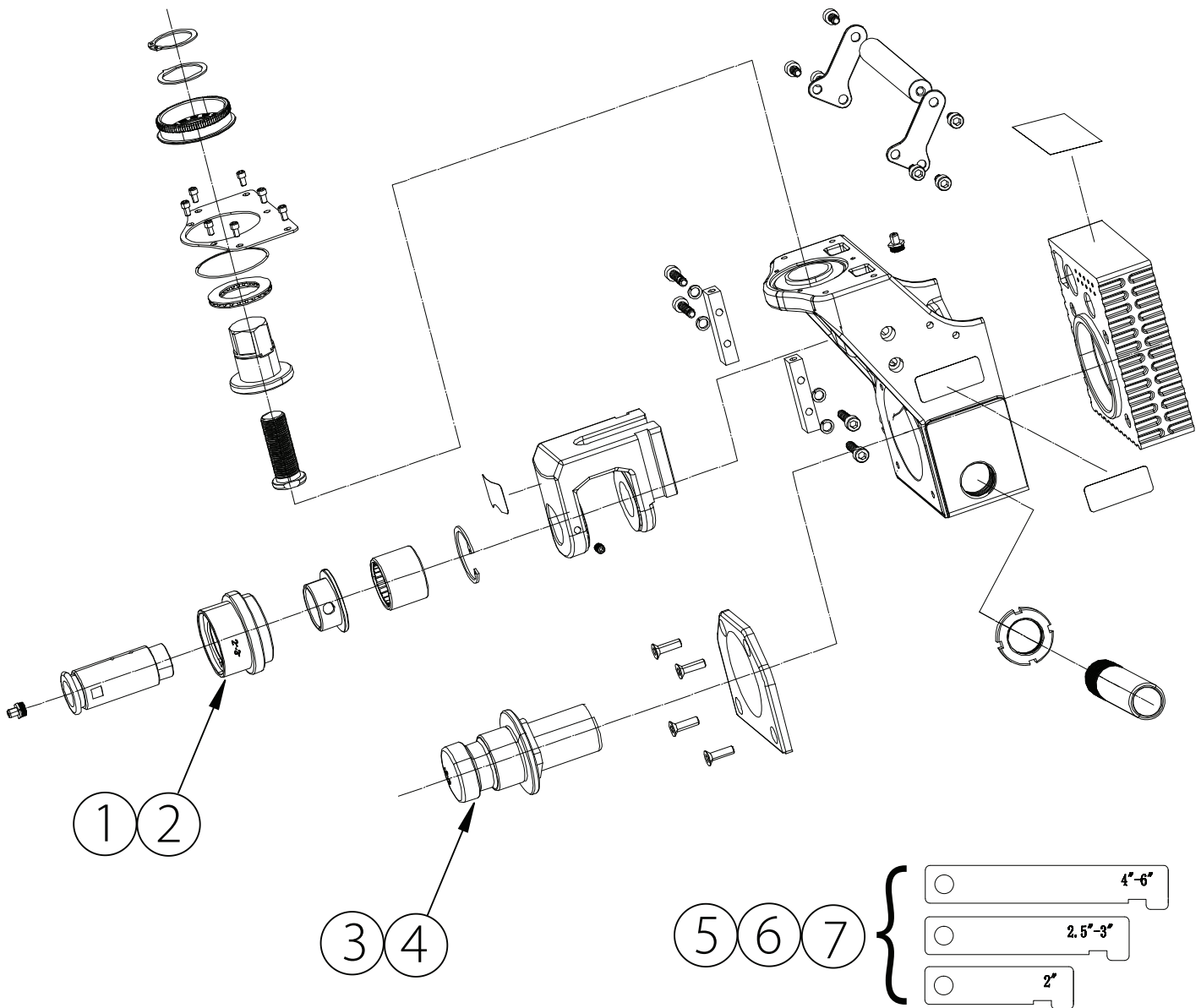


PARTS ORDERING INFORMATION

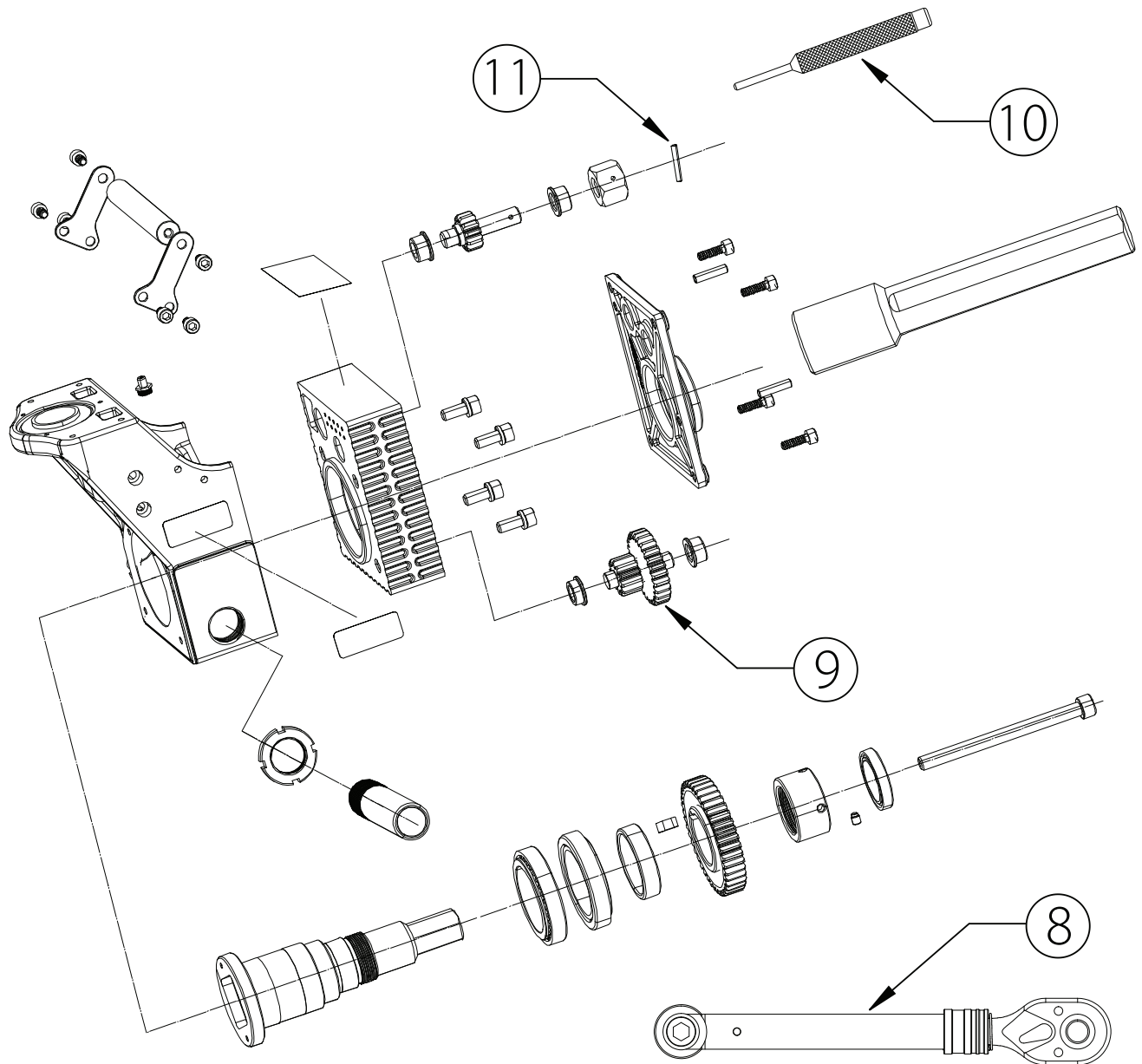
When ordering parts, the following information is necessary for Victaulic to process the order promptly:

1. Tool model number – RG1200
2. Tool serial number – The serial number can be found on the side of the tool.
3. Item number, part number, description, and quantity required
4. Where to send the part(s) – Company name and address
5. To whose attention to send the part(s)
6. Purchase order number

Parts may be ordered from the nearest Victaulic Sales Office.



Item#	Part #	Qty.	Description
1	R-9S2-120-U03	1	2-3 inch Upper Roll
2	R-9S4-120-U06	1	4-6 inch Upper Roll
3	R-9S2-120-L03	1	2-3 inch Lower Roll
4	R-9S4-120-L06	1	4-6 inch Lower Roll
5	R-020-120-GGE	1	2 inch/60.3 mm Groove Confirmation Gauge
6	R-024-120-GGE	1	2.5-3 inch/73-88.9 mm Groove Confirmation Gauge
7	R-040-120-GGE	1	4-6 inch/114.3-168.3 mm Groove Confirmation Gauge



Item#	Part #	Qty.	Description
8	R-000-120-RCH	1	Adjustable Ratchet with Swivel Handle
9	R-000-120-0GR	1	Gear (12x26 Teeth)
10	R-000-120-PNH	1	Shear Pin Punch
11	R-000-120-PIN	10	Shear Pin

RG1200 Roll Grooving Tool

