

---

## RG2300 Combo Roll Grooving Tool

---



**IGS™**  
**OGS**

---

### PARTS ORDERING INFORMATION

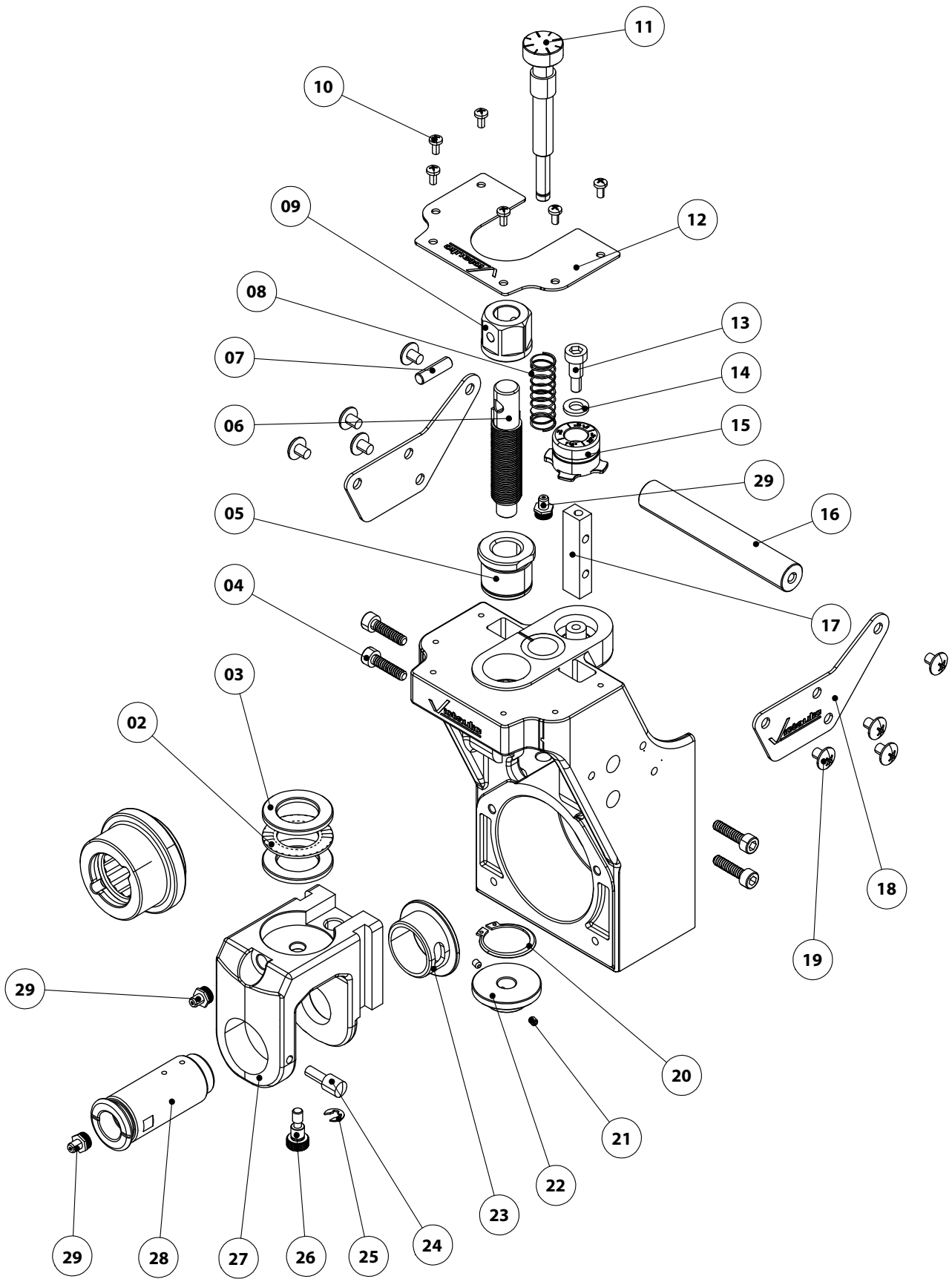
When ordering parts, the following information is necessary for Victaulic to process the order promptly:

1. Tool Model Number – RG2300
2. Tool Serial Number – The Serial Number can be found on the rear of the tool.
3. Quantity\*, Item Number, Part Number, Description
4. Where to send the part(s) – Company Name and Address
5. To whose attention to send the part(s)
6. Purchase Order Number

Parts may be ordered from your nearest Victaulic Sales Office.

\* Quantity given in **Qty.** column indicates total number of pieces required per tool. Value of "A/R" indicates "As Required" which may differ based on usage and environment.

RG2300 BODY UPPER ASSEMBLIES



**RG2300 BODY UPPER ASSEMBLIES (CONTINUED)**

**DEPTH SCALE ASSEMBLY**

Item #	Part #	Qty.	Description
	NMSC000183	1	Depth Scale Assembly
10	*	6	Pan Head Screw W/Cross Recess M4 x 8
12	*	1	Indicator Plate
13	*	1	Hex Socket Cap Shoulder Screw M6 x $\Phi$ 8 x 12
14	*	1	Corrugated Spring Washer $\Phi$ 8 x $\Phi$ 12 x 0.3
15	*	1	Depth Gauge

\* Included in assembly. Not available for individual sale.

**DEPTH STOP ASSEMBLY**

Item #	Part #	Qty.	Description
	NMSC000184	1	Depth Stop Assembly
08	*	1	Spring $\Phi$ 14 x $\Phi$ 0.8 x 70
11	*	1	Depth Stop
25	*	1	Retaining Ring for Shaft $\Phi$ 6

\* Included in assembly. Not available for individual sale.

**GROOVING FEED ASSEMBLY**

Item #	Part #	Qty.	Description
	NMSC000185	1	Grooving Feed Assembly
02	*	1	Thrust Needle Roller Bearing
03	*	2	Thrust Bearing Washer
05	*	1	Feed Nut
06	*	1	Feed Screw
07	*	1	Pin $\Phi$ 7
09	*	1	Drive Nut
20	*	1	Retaining Ring for shaft $\Phi$ 30
21	*	2	Hex Socket Set Screw M4 x 5
22	*	1	Thrust Bearing Stop Block
26	*	1	Hex Socket Cap Shoulder Screw (Left) M6 x $\Phi$ 8 x 8

\* Included in assembly. Not available for individual sale.

**HANDLE ASSEMBLY**

Item #	Part #	Qty.	Description
	NMSC000186	1	Handle Assembly
16	*	1	Lifting Handle
18	*	2	Plate
19	*	8	Pan Head Screw PH3 M6 x 10

\* Included in assembly. Not available for individual sale.

**GIB ASSEMBLY**

Item #	Part #	Qty.	Description
	NMSC000187	1	Gib Assembly
04	*	4	Hex Socket Cap Screw M6 x 25
17	*	2	Gib

\* Included in assembly. Not available for individual sale.

**UPPER ROLL SHAFT ASSEMBLY**

Item #	Part #	Qty.	Description
	NMSC000188	1	Upper Roll Shaft Assembly
28	*	1	Upper Roll Shaft
29	*	1	Lubricating Fitting Straight M10 x 1

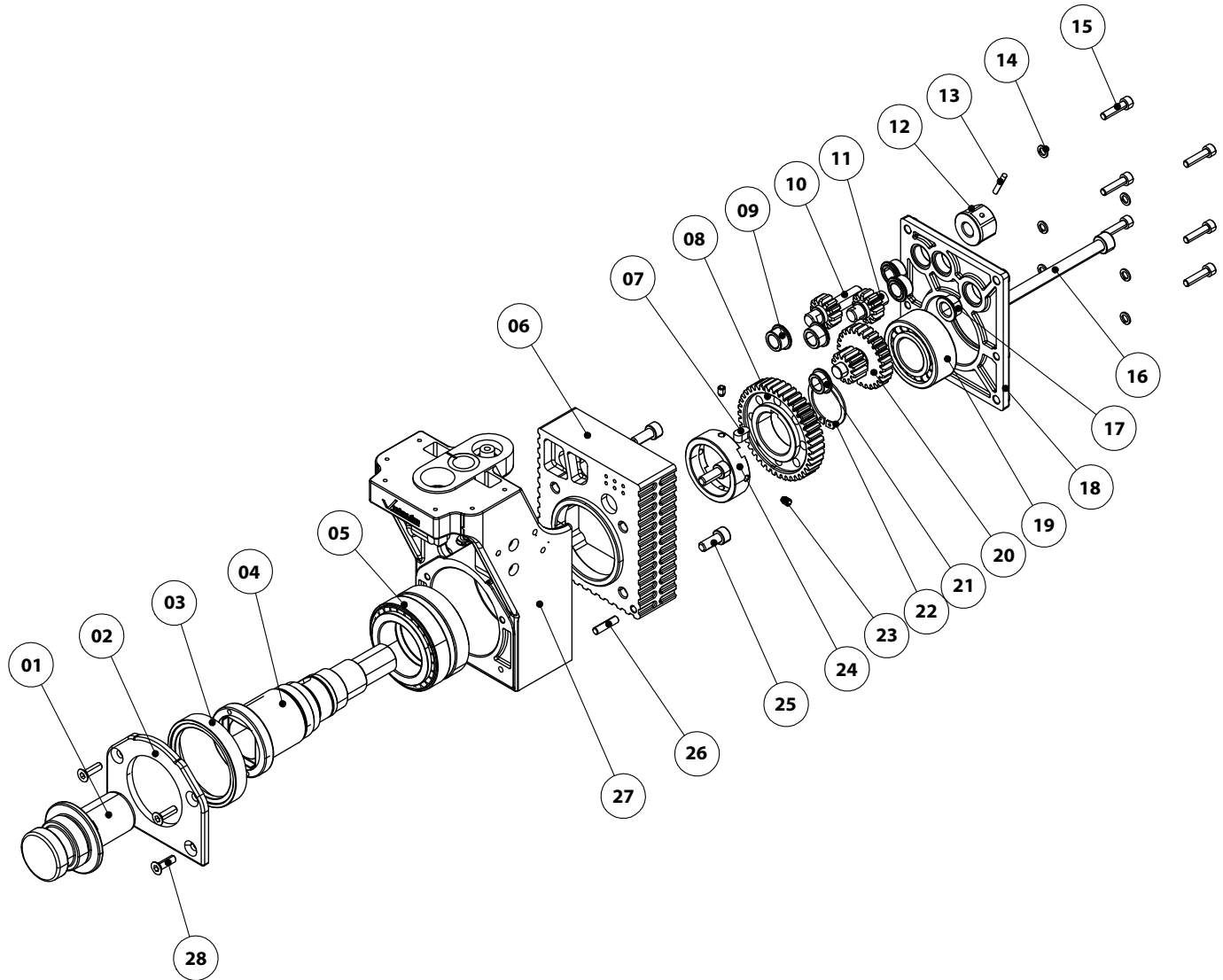
\* Included in assembly. Not available for individual sale.

**UPPER ROLL SLIDE ASSEMBLY**

Item #	Part #	Qty.	Description
	NMSC000189	1	Upper Roll Slide Assembly
23	*	1	Upper Roll Bushing
24	*	1	Hand Screw M6 x 16
27	*	1	Slide
29	*	1	Lubricating Fitting Straight M10 x 1

\* Included in assembly. Not available for individual sale.

RG2300 BODY FRONT AND REAR ASSEMBLIES



**RG2300 BODY FRONT AND REAR ASSEMBLIES (CONTINUED)**

**GEAR ASSEMBLY**

Item #	Part #	Qty.	Description
	NMSC000190	1	Gear Assembly
07	*	1	Rectangular Key 8 x 7 x 14
08	*	1	First Level Gear
10	*	1	Fourth Level Gear
11	*	1	Third Level Gear
20	*	1	Second Level Gear
22	*	1	Retaining Ring for Shaft $\Phi$ 38

\* Included in assembly. Not available for individual sale.

**GEARBOX COVER ASSEMBLY**

Item #	Part #	Qty.	Description
	NMSC000191	1	Gearbox Cover Assembly
09	*	2	Third Level Gear Bushings
14	*	6	Spring Washer $\Phi$ 6
15	*	6	Hex Socket Cap Screw M6 x 20
17	*	1	Second Level Gear Bushings for Cover
18	*	1	Gearbox Cover
19	*	1	Angular Contact Bearing

\* Included in assembly. Not available for individual sale.

**GEAR BOX ASSEMBLY**

Item #	Part #	Qty.	Description
	NMSC000192	1	Gear Box Assembly
06	*	1	Gear Box
09	*	2	Third Level Gear Bushings
21	*	1	Second Level Gear Bushings for Gearbox
25	*	4	Hex Socket Cap Screw M8 x 20
26	*	2	Fixed Pin $\Phi$ 6x25

\* Included in assembly. Not available for individual sale.

**MAIN SHAFT BEARING ASSEMBLY**

Item #	Part #	Qty.	Description
	NMSC000193	1	Main Shaft Bearing Assembly
03	*	1	Stopper Ring
04	*	1	Main Shaft
05	*	1	Double Row Tapered Roller Bearing
23	*	2	Hex Socket Set Screw W/ Cone Point M6 x 8
24	*	1	Lock Nut
27	*	1	Tool Body

\* Included in assembly. Not available for individual sale.

**END PLATE ASSEMBLY**

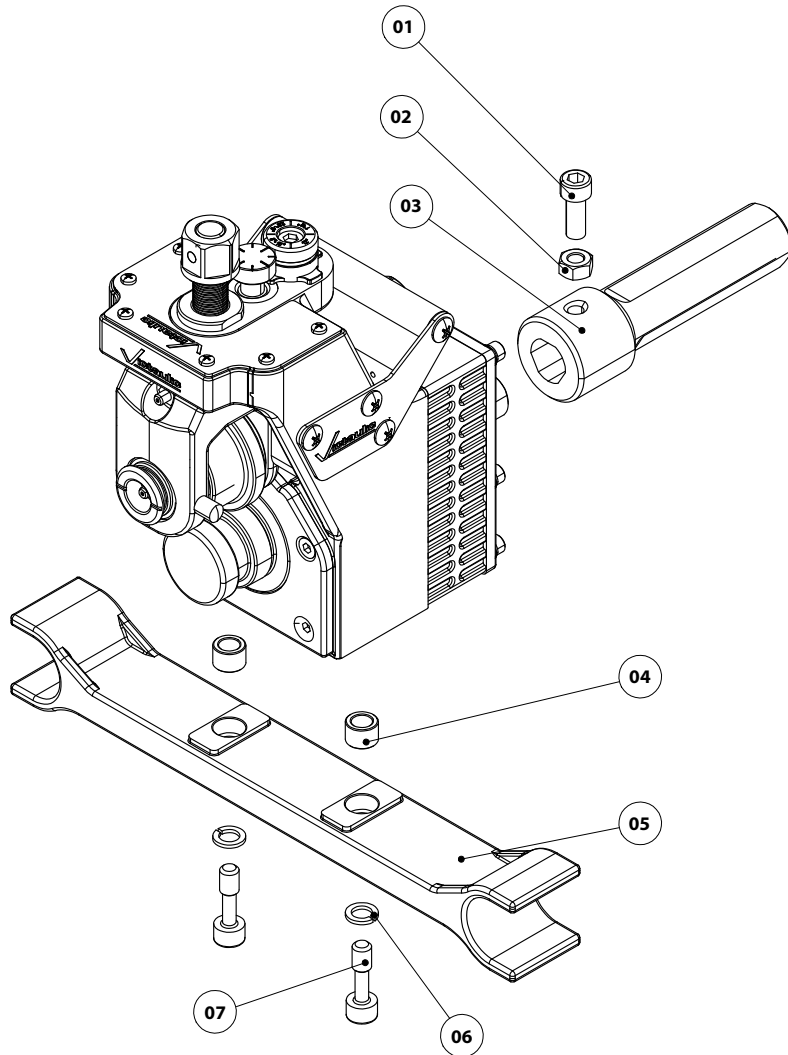
Item #	Part #	Qty.	Description
	NMSC000194	1	End Plate Assembly
02	*	1	End Plate
28	*	4	Hex Socket Cap Countersunk Screw M6 x 16

\* Included in assembly. Not available for individual sale.

**INDIVIDUAL ITEMS**

Item #	Part #	Qty.	Description
01	See page 8-9	-	Lower Roll
12	NMSC000195	1	Drive Nut
13	NMSC000196	11	Shear Pin $\Phi$ 4
16	NSCR000083	1	Lower Roll Retaining Screw M10 x 125

**RG2300 DRIVE AND SUPPORT ASSEMBLIES - RIDGID 300<sup>††</sup> AND REMS<sup>†</sup>**



**POWER DRIVE AND SUPPORT ASSEMBLY - RIDGID 300<sup>††</sup>**

Item #	Part #	Qty.	Description
	R000230PDA	1	Power Drive Adapter Assembly, Ridgid 300 <sup>††</sup>
01	*	1	Hex Socket Head Cap Screw M10 x 25
02	*	1	Hex Nut M10
03	*	1	Adapter - Ridgid 300 <sup>††</sup> /Rems <sup>†</sup>
04	*	2	Locating Ring
05	*	1	Support Arm - Ridgid 300 <sup>††</sup>
06	*	2	Spring Washer $\Phi$ 10
07	*	2	Retained Screw M10 x 35

\* Included in assembly. Not available for individual sale.

**HARDWARE KIT - RIDGID 300<sup>††</sup>/REMS<sup>†</sup>**

Item #	Part #	Qty.	Description
	NMSC000197	1	Hardware Kit Assembly
01	*	1	Hex Socket Head Cap Screw M10 x 25
02	*	1	Hex Nut M10
04	*	2	Locating Ring
06	*	2	Spring Washer $\Phi$ 10
07	*	2	Retained Screw M10 x 35

\* Included in assembly. Not available for individual sale.

† Rems is a trademark of REMS GmbH & Co KG

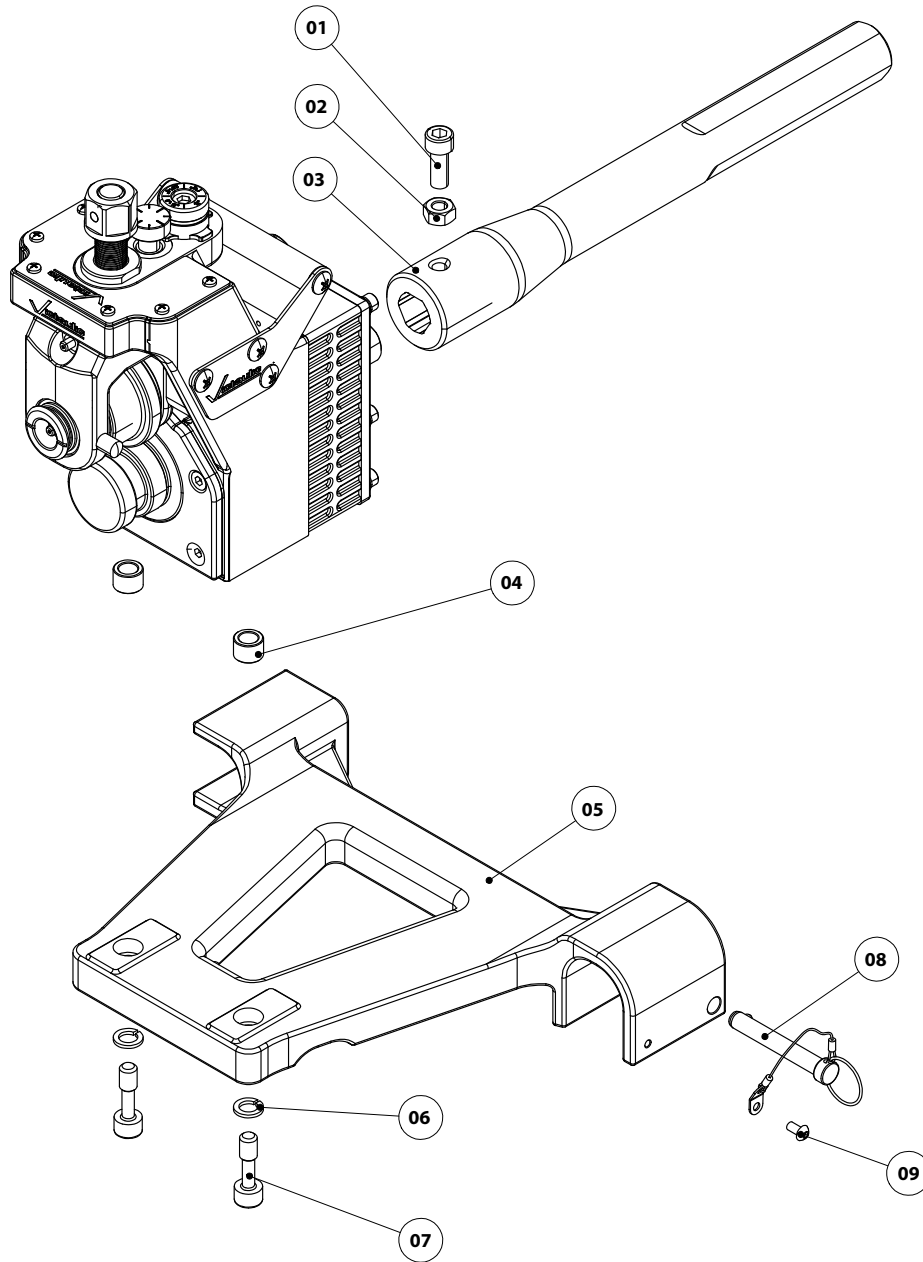
† † Ridgid is a registered trademark of Ridgid, Inc.

**POWER DRIVE AND SUPPORT ASSEMBLY - REMS<sup>†</sup>**

Item #	Part #	Qty.	Description
	R001230PDA	1	Power Drive Adapter Assembly, Rems <sup>†</sup>
01	*	1	Hex Socket Head Cap Screw M10 x 25
02	*	1	Hex Nut M10
03	*	1	Adapter - Ridgid 300 <sup>††</sup> /Rems <sup>†</sup>
04	*	2	Locating Ring
05	*	1	Support Arm - Rems <sup>†</sup>
06	*	2	Spring Washer $\Phi$ 10
07	*	2	Retained Screw M10 x 35

\* Included in assembly. Not available for individual sale.

**RG2300 DRIVE AND SUPPORT ASSEMBLY - RIDGID 300 COMPACT††**



**POWER DRIVE AND SUPPORT ASSEMBLY - RIDGID 300 COMPACT††**

Item #	Part #	Qty.	Description
	R002230PDA	1	Power Drive Adapter Assembly - Ridgid 300 Compact ††
01	*	1	Hex Socket Head Cap Screw M10 x 25
02	*	1	Hex Nut M10
03	*	1	Adapter - Ridgid 300 Compact ††
04	*	2	Locating Ring
05	*	1	Support Arm - Ridgid 300 Compact ††
06	*	2	Spring Washer Φ10
07	*	2	Retained Screw M10 x 35
08	*	1	Quick Release Pin
09	*	1	Hex Socket Button Head Screw M5 x 8

\* Included in assembly. Not available for individual sale.

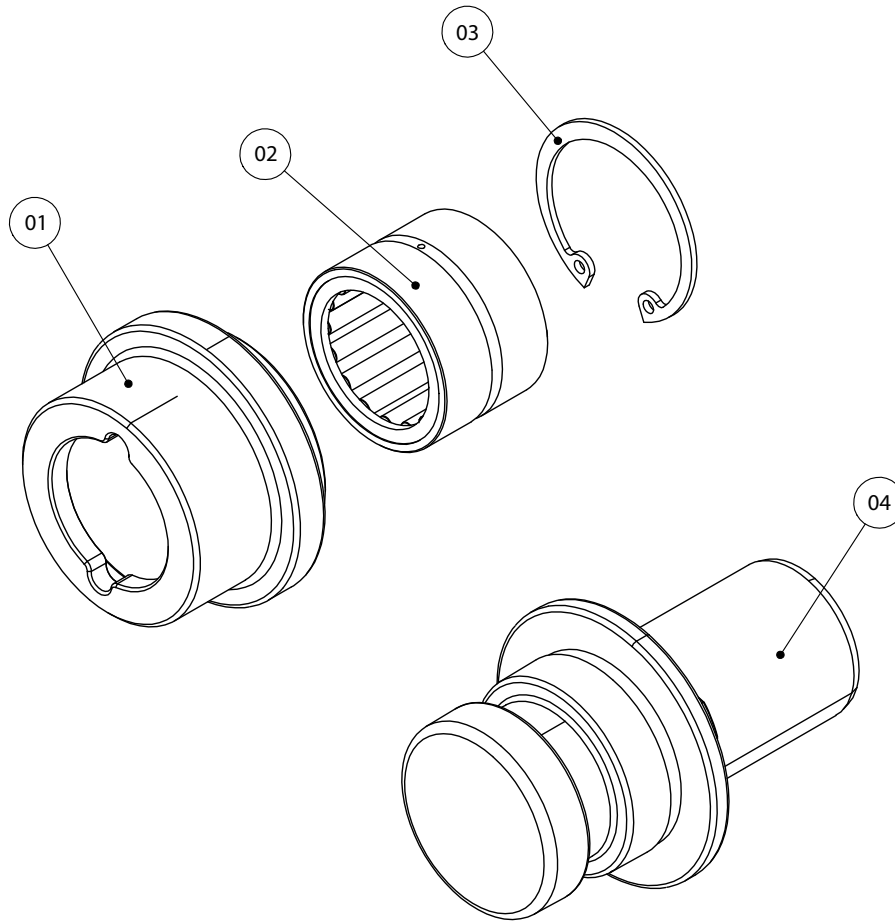
**HARDWARE KIT- RIDGID 300 COMPACT**

Item #	Part #	Qty.	Description
	NMSC000198	1	Hardware Kit Assembly
01	*	1	Hex Socket Head Cap Screw M10 x 25
02	*	1	Hex Nut M10
04	*	2	Locating Ring
06	*	2	Spring Washer Φ10
07	*	2	Retained Screw M10 x 35
08	*	1	Quick Release Pin
09	*	1	Hex Socket Button Head Screw M5 x 8

\* Included in assembly. Not available for individual sale.

†† Ridgid is a registered trademark of Ridgid, Inc.

**RG2300 ROLL SETS**



**1" – 1 1/2" OGS ROLL SET - CARBON STEEL/  
STAINLESS STEEL**

Item #	Part #	Qty.	Description
	R901230201	1	1" – 1 1/2" OGS Roll Set - Carbon Steel
01	*	1	Upper Roll 1" – 1 1/2" OGS (R)
02	*	1	Upper Roll Bearing
03	*	1	Circlip 42mm
04	*	1	Lower Roll 1" – 1 1/2" OGS (R)

\* Included in assembly. Not available for individual sale.

**2" – 6" OGS ROLL SET - CARBON STEEL/  
STAINLESS STEEL**

Item #	Part #	Qty.	Description
	R902230206	1	2" – 6" OGS Roll Set - Carbon Steel
01	*	1	Upper Roll 2" – 6" OGS (R)
02	*	1	Upper Roll Bearing
03	*	1	Circlip 42mm
04	*	1	Lower Roll 2" – 6" OGS (R)

\* Included in assembly. Not available for individual sale.

**1 1/4" – 1 1/2" OGS ROLL SET - CARBON STEEL/  
STAINLESS STEEL**

Item #	Part #	Qty.	Description
	R90A230201	1	1 1/4" – 1 1/2" OGS Roll Set - Carbon Steel
01	*	1	Upper Roll 1 1/4" – 1 1/2" OGS (R)
02	*	1	Upper Roll Bearing
03	*	1	Circlip 42mm
04	*	1	Lower Roll 1 1/4" – 1 1/2" OGS (R)

\* Included in assembly. Not available for individual sale.

**8" – 12" OGS ROLL SET - CARBON STEEL/  
STAINLESS STEEL**

Item #	Part #	Qty.	Description
	R908230212	1	8" – 12" OGS Roll Set - Carbon Steel
01	*	1	Upper Roll 8" – 12" OGS (R)
02	*	1	Upper Roll Bearing
03	*	1	Circlip 42mm
04	*	1	Lower Roll 8" – 12" OGS (R)

\* Included in assembly. Not available for individual sale.

**1" IGS ROLL SET - CARBON STEEL**

Item #	Part #	Qty.	Description
	RI01230201	1	1" IGS Roll Set - Carbon Steel
01	*	1	Upper Roll 1" IGS (RI)
02	*	1	Upper Roll Bearing
03	*	1	Circlip 42mm
04	*	1	Lower Roll 1" IGS (RI)

\* Included in assembly. Not available for individual sale.



**RG2300 ROLL SETS (CONTINUED)**

**2" – 6" OGS ROLL SET - LIGHT WALL STAINLESS STEEL**

Item #	Part #	Qty.	Description
	RX02230006	1	2" – 6" OGS Roll Set - Light Wall Stainless Steel
01	*	1	Upper Roll 2" – 6" OGS (RX)
02	*	1	Upper Roll Bearing
03	*	1	Circlip 42mm
04	*	1	Lower Roll 2" – 6" OGS (RX)

\* Included in assembly. Not available for individual sale.

**8" – 12" OGS ROLL SET - LIGHT WALL STAINLESS STEEL**

Item #	Part #	Qty.	Description
	RX08230012	1	8" – 12" OGS Roll Set - Light Wall Stainless Steel
01	*	1	Upper Roll 8" – 12" OGS (RX)
02	*	1	Upper Roll Bearing
03	*	1	Circlip 42mm
04	*	1	Lower Roll 8" – 12" OGS (RX)

\* Included in assembly. Not available for individual sale.

**2" – 6" OGS ROLL SET - PVC/ALUMINUM**

Item #	Part #	Qty.	Description
	RP02230006	1	2" – 6" OGS Roll Set - PVC/Aluminum
01	*	1	Upper Roll 2" – 6" OGS (R-P)
02	*	1	Upper Roll Bearing
03	*	1	Circlip 42mm
04	*	1	Lower Roll 2" – 6" OGS (R-P)

\* Included in assembly. Not available for individual sale.

**8" OGS ROLL SET - PVC/ALUMINUM**

Item #	Part #	Qty.	Description
	RP08230008	1	8" OGS Roll Set - PVC/Aluminum
01	*	1	Upper Roll 8" OGS (R-P)
02	*	1	Upper Roll Bearing
03	*	1	Circlip 42mm
04	*	1	Lower Roll 8" OGS (R-P)

\* Included in assembly. Not available for individual sale.

**2" – 6" ROLL SET - COPPER**

Item #	Part #	Qty.	Description
	RR02230006	1	2" – 6" Roll Set - Copper
01	*	1	Upper Roll 2" – 6" (R-R)
02	*	1	Upper Roll Bearing
03	*	1	Circlip 42mm
04	*	1	Lower Roll 2" – 6" (R-R)

\* Included in assembly. Not available for individual sale.

**8" ROLL SET - COPPER**

Item #	Part #	Qty.	Description
	RR08230008	1	8" Roll Set - Copper
01	*	1	Upper Roll 8" (R-R)
02	*	1	Upper Roll Bearing
03	*	1	Circlip 42mm
04	*	1	Lower Roll 8" (R-R)

\* Included in assembly. Not available for individual sale.

**UPPER ROLL BEARING KIT**

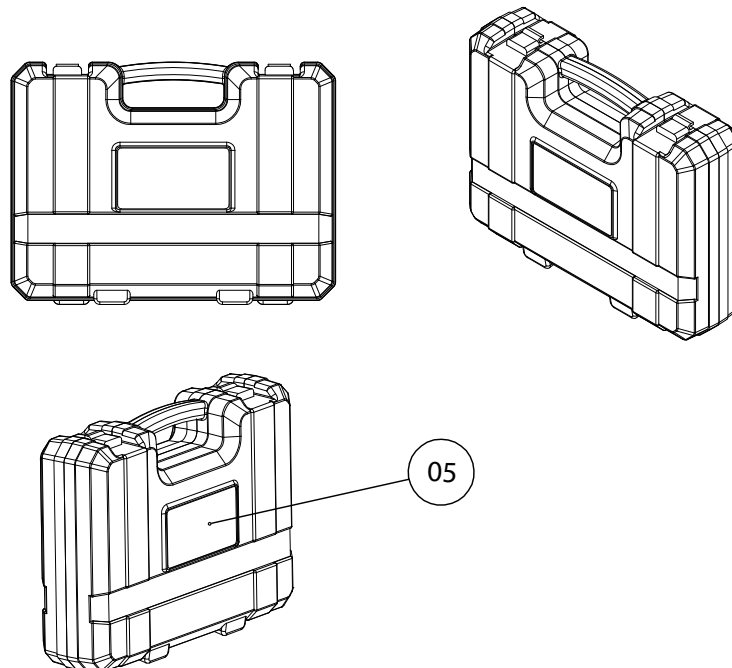
Item #	Part #	Qty.	Description
	NBRG000025	1	Upper Roll Bearing Kit
02	*	1	Upper Roll Bearing
03	*	1	Circlip 42mm

\* Included in assembly. Not available for individual sale.

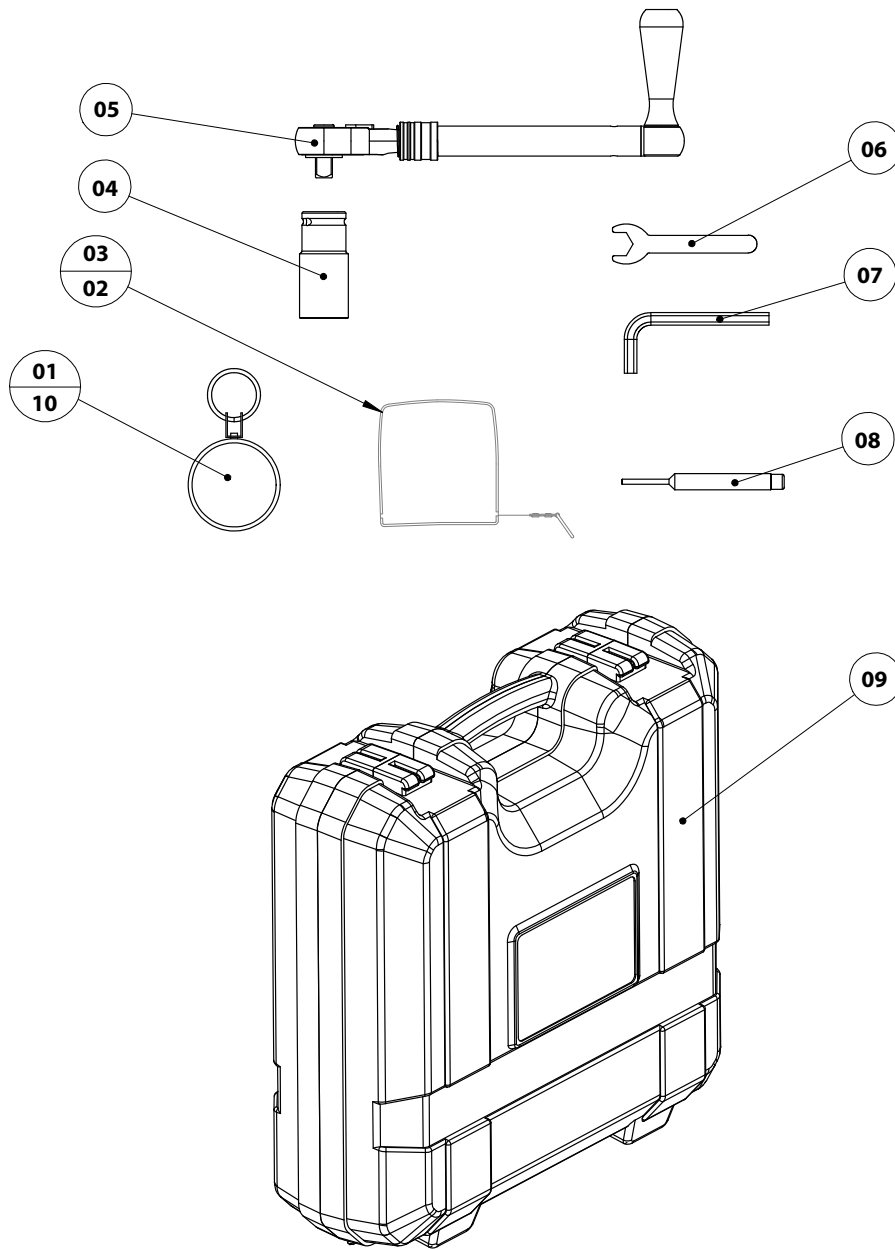
**ROLL SET CASE**

Item #	Part #	Qty.	Description
05	NMSC000149	1	Roll Set Case
-	*	1	RG2300 FP Roll Set Label
-	*	1	RG2300 CS/SS OGS Roll Set Label
-	*	1	RG2300 Lt. Wall SS Roll Set Label
-	*	1	RG2300 PVC/Alum. Roll Set Label
-	*	1	RG2300 Copper Roll Set Label

\* Included in assembly. Not available for individual sale.



**RG2300 PACKAGING ACCESSORIES**



**RATCHET ASSEMBLY**

Item #	Part #	Qty.	Description
	NMSC000199	1	Ratchet Assembly
04	*	1	Socket 27MM
05	*	1	Adjustable Ratchet w/ Swivel Handle

\* Included in assembly. Not available for individual sale.

**CASE ASSEMBLY**

Item #	Part #	Qty.	Description
	NMSC000201	1	Case Assembly
09	*	1	Storage case
01	*	1	Label for Storage Case

\* Included in assembly. Not available for individual sale.

**TOOL KIT**

Item #	Part #	Qty.	Description
	NMSC000200	1	Tool Kit
06	*	1	Wrench 17MM
07	*	1	Hex Key S8
08	*	1	Shear Pin Punch

\* Included in assembly. Not available for individual sale.

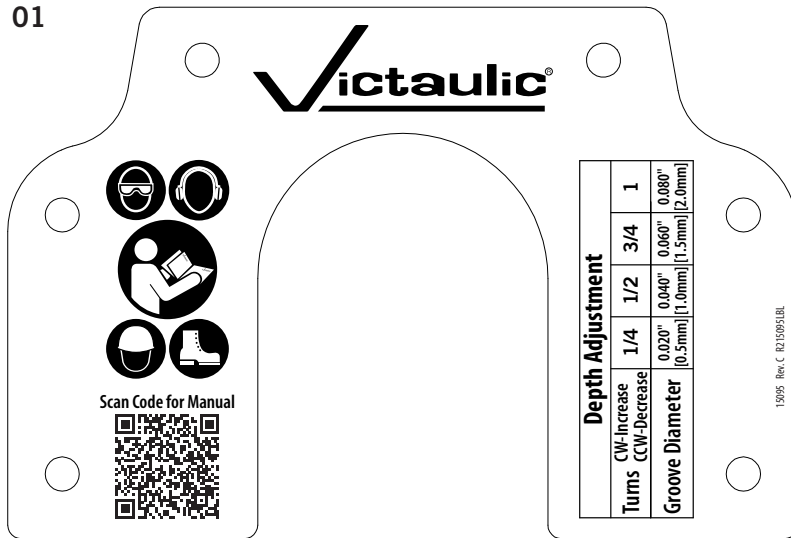
**INDIVIDUAL ITEMS**

Item #	Part #	Qty.	Description
01	R205GDASY	1	Go/No Go IGS & 1 1/4-2 OGS Cable
02	RW75100MCH	1	PT-100A Grooved Pipe Diameter Tape - Imperial
03	RW76101MCH	1	PT-101 Grooved Pipe Diameter Tape - Metric
10	R051GDASY	1	Go/No Go USA ASTM B-88 Copper - GRV DIA Cable 2-8 54-206.4mm

**RG2300 LABEL KIT**

The labels shown below are not to scale

01



02



03



04



Item #	Part #	Qty.	Description
	NMSC000202	1	Label Kit
01	*	1	Indicator Plate
02	*	1	Victaulic Logo Plate
03	*	1	Pinch Point Label
04	*	1	Serial Number Identification Tag †

\* Included in assembly. Not available for individual sale.

† Customer shall retain previous plate to ensure transfer of ID information upon replacement.

**Note:** Images of the labels on this page are not to scale.

---

## RG2300 Combo Roll Grooving Tool

---