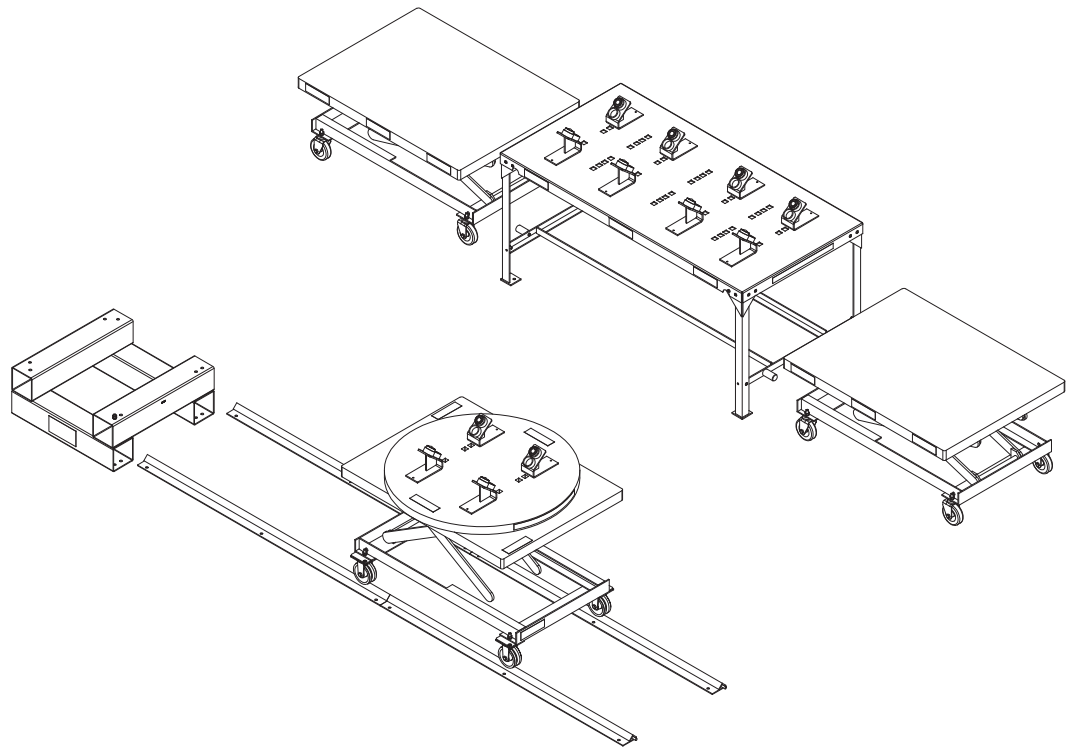


Series VAP131 Victaulic Lean Fabrication Cell



PARTS ORDERING INFORMATION

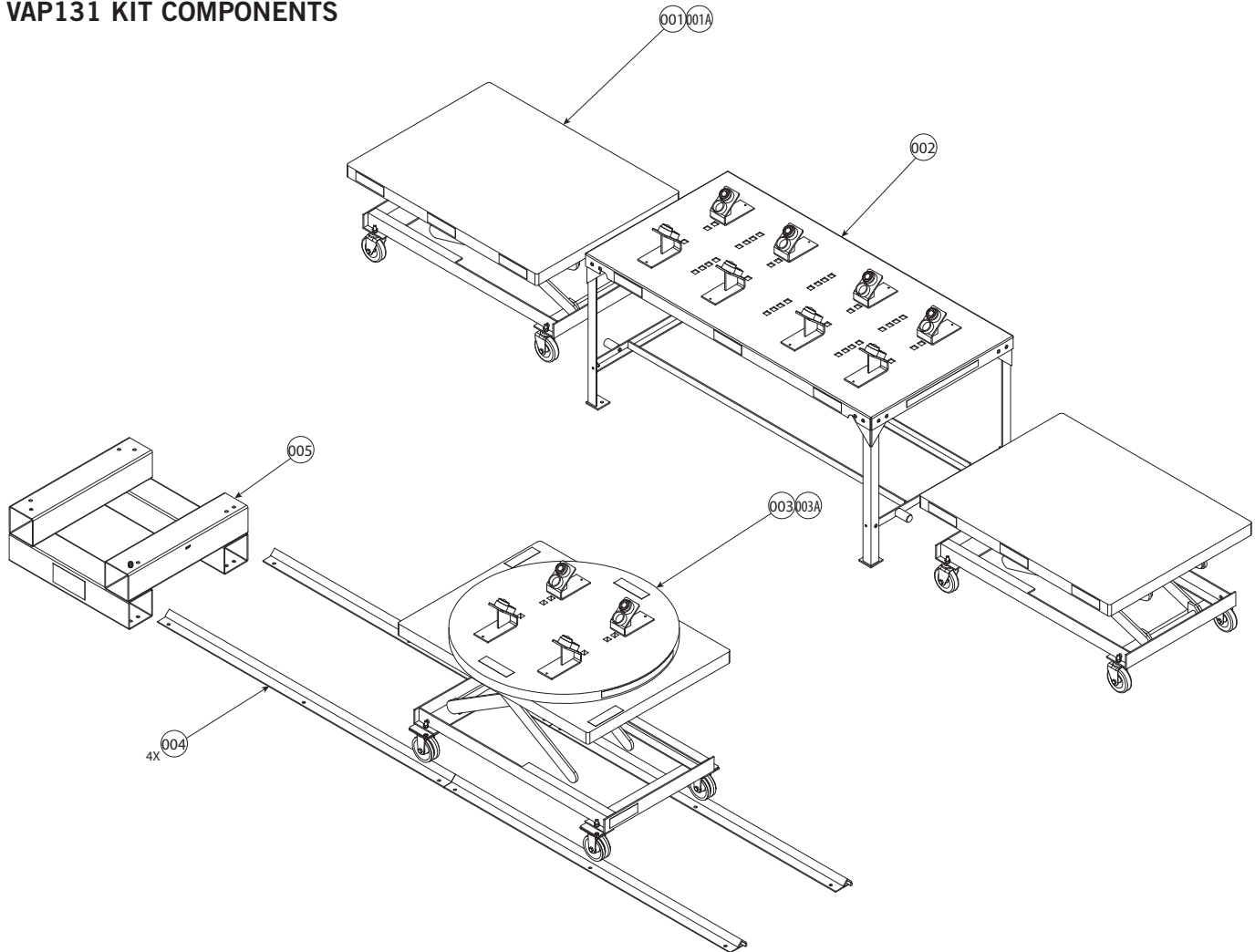
When ordering parts, the following information is necessary for Victaulic to process the order promptly:

1. Model Number – VAP131F, VAP131R, or VAP131T
2. Serial Number
3. Quantity, Item Number, Part Number, Description
4. Where to send the part(s) – Company Name and Address
5. To whose attention to send the part(s)
6. Purchase Order Number

Parts may be ordered from your nearest Victaulic Sales Office.

Series VAP131 Victaulic Lean Fabrication Cell

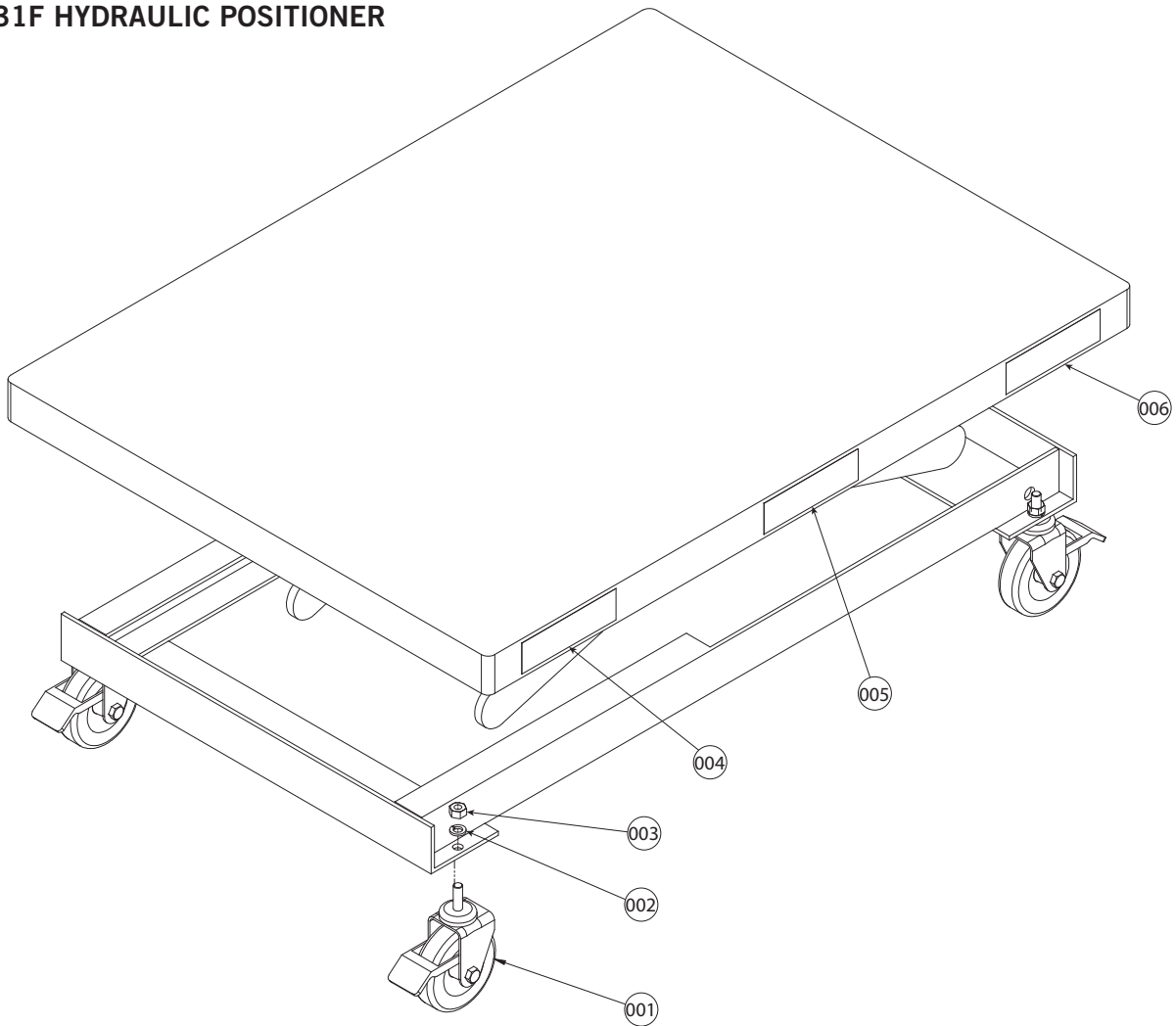
VAP131 KIT COMPONENTS



Item#	Part #	Qty.	Description
001	R-102-131-ASY	2	VAP131F Hydraulic Positioner (110 Volt)
001A	R-104-131-ASY	2	VAP131F Hydraulic Positioner (220 Volt, Single Phase)
002	R-200-131-ASY	1	VAP131T Table Assembly
003	R-101-131-ASY	1	VAP131R Hydraulic Adjustable Pipe Stand (110 Volt)
003A	R-103-131-ASY	1	VAP131R Hydraulic Adjustable Pipe Stand (220 Volt, Single Phase)
004	R-400-131-PNT	1	V-Track
005	R-500-131-ASY	1	Tool Support

Series VAP131 Victaulic Lean Fabrication Cell

VAP131F HYDRAULIC POSITIONER

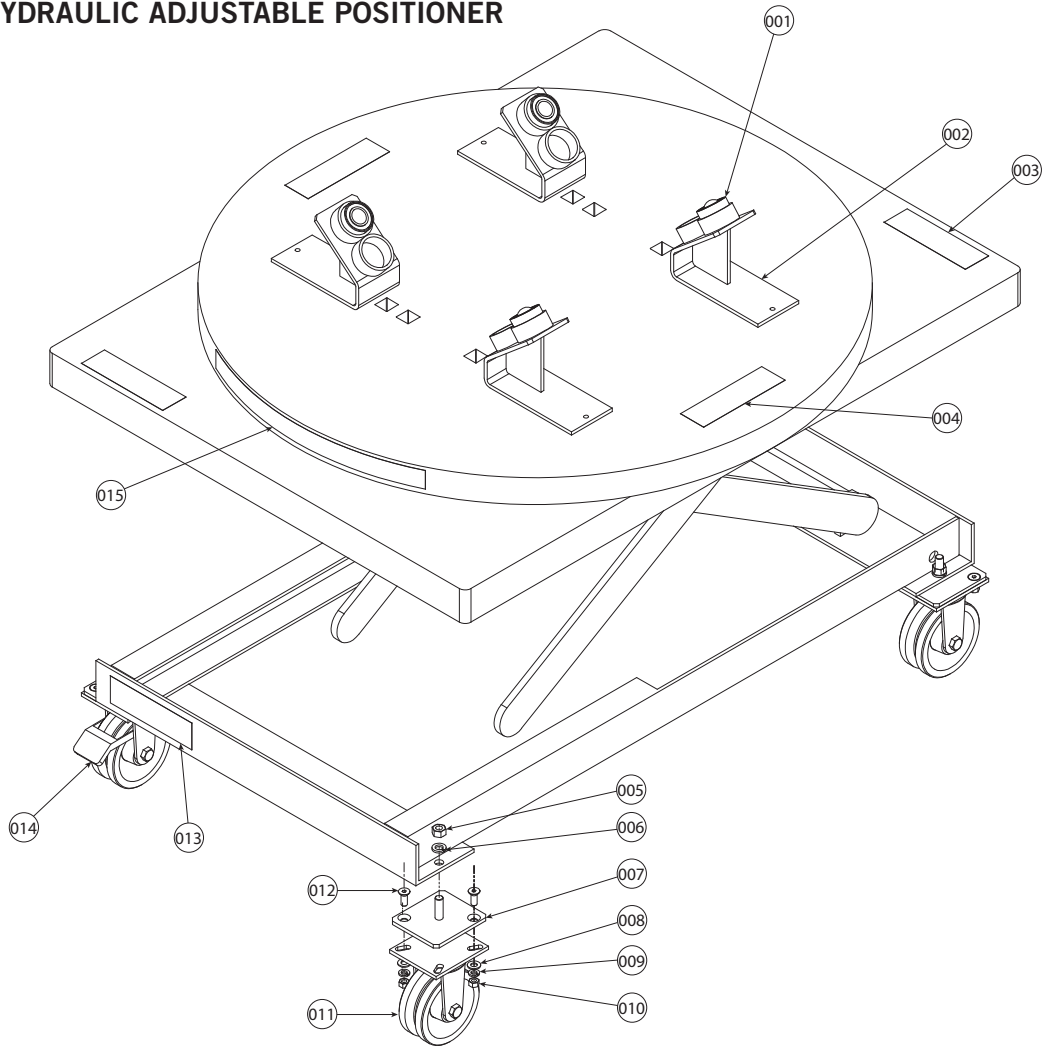


Item#	Part #	Qty.	Description
001	N-M05-000-009	4	Caster, Swivel with Lock
002	N-W03-080-000	4	½" Lock Washer, Pltd.
003	N-N01-080-000	4	½ - 13 UNC Hex Nut, Pltd.
004	R-206-131-LBL	2	VAP131F Identification Label
005	R-203-131-LBL	2	Warning Label
006	R-204-131-LBL	4	Victaulic Logo Label

NOTE: Contact the Victaulic Customer Care Department at 1-800-PICK VIC for information on items that are not depicted.

Series VAP131 Victaulic Lean Fabrication Cell

VAP131R HYDRAULIC ADJUSTABLE POSITIONER

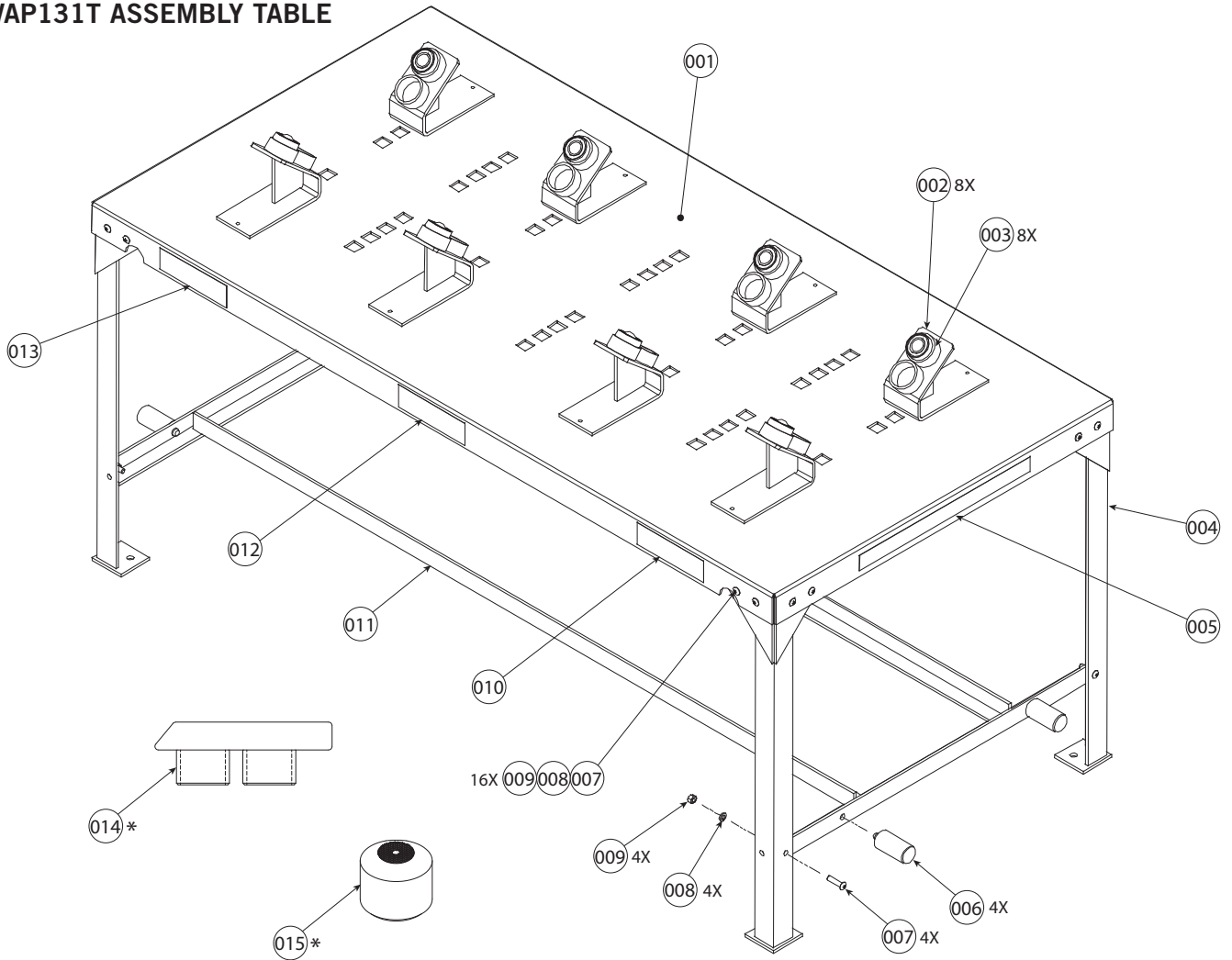


Item#	Part #	Qty.	Description
001	N-M28-000-002	4	Ball Transfer
002	R-301-131-PNT	4	Ball Transfer Support
003	R-203-131-LBL	2	Warning Label
004	R-204-131-LBL	4	Victaulic Logo Label
005	N-N01-080-000	4	½ - 13 UNC Hex Nut, Pltd.
006	N-W03-080-000	4	½" Lock Washer, Pltd.
007	R-103-131-PNT	4	Caster Support Plate
008	N-W06-060-000	8	¾" SAE Flat Washer, Pltd.
009	N-W03-060-000	8	¾" Lock Washer, Pltd.
010	N-N01-060-000	8	¾ - 16 UNC Hex Nut, Pltd.
011	N-M05-000-010	3	Caster, 5 x 2 V-Groove
012	N-S04-060-100	8	¾ - 16 UNC x 1.0" Lg. Socket Flat Hd. Screw, Blk. Ox.
013	R-205-131-LBL	2	VAP131R Identification Label
014	N-M05-000-011	1	Caster with Lock, 5 x 2 V-Groove
015	R-202-131-LBL	2	Pipe Size Location Label

NOTE: Contact the Victaulic Customer Care Department at 1-800-PICK VIC for information on items that are not depicted.

Series VAP131 Victaulic Lean Fabrication Cell

VAP131T ASSEMBLY TABLE



Item#	Part #	Qty.	Description
001	R-201-131-PNT	1	Table Top
002	R-301-131-PNT	8	Ball Transfer Support
003	N-M28-000-002	8	Ball Transfer
004	R-203-131-PNT	4	Table Leg
005	R-202-131-LBL	2	Pipe Size Location Label
006	R-211-131-ASC	4	Bumper Guard
007	N-S06-060-108	20	3/8" - 16 UNC x 1.50 Lg. Slotted Round Hd. Screw, Pltd.
008	N-W03-060-000	20	3/8" Standard Lock Washer, Pltd.
009	N-N01-060-000	20	3/8" - 16 UNC Hex Nut, Pltd.
010	R-204-131-LBL	2	Victaulic Logo Label
011	R-202-131-PNT	1	Table Shelf
012	R-203-131-LBL	2	Warning Label
013	R-207-131-LBL	2	VAP131T Identification Label
014*	R-208-131-PNT	8	Friction Slide
015*	R-210-131-ASY	8	Friction Brake

* Accessory components for the VAP131R Hydraulic Adjustable Positioner and the VAP131T Assembly Table

Series VAP131 Victaulic Lean Fabrication Cell

For complete contact information, visit www.victaulic.com

RP-VAP131 6449 REV C UPDATED 06/2011 RPL0VAP131

VICTAULIC IS A REGISTERED TRADEMARK OF VICTAULIC COMPANY. © 2011 VICTAULIC COMPANY. ALL RIGHTS RESERVED. PRINTED IN THE USA.

RP-VAP131

