
VAPS224 Pipe Stand



PARTS ORDERING INFORMATION

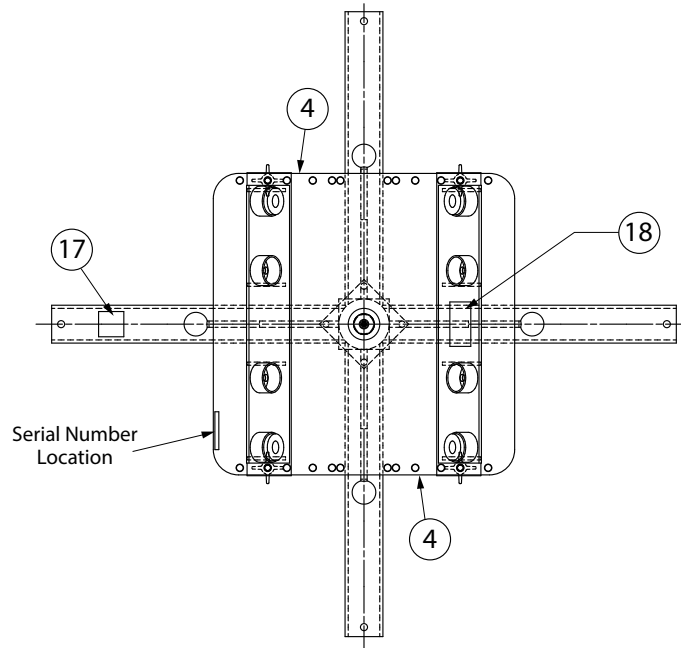
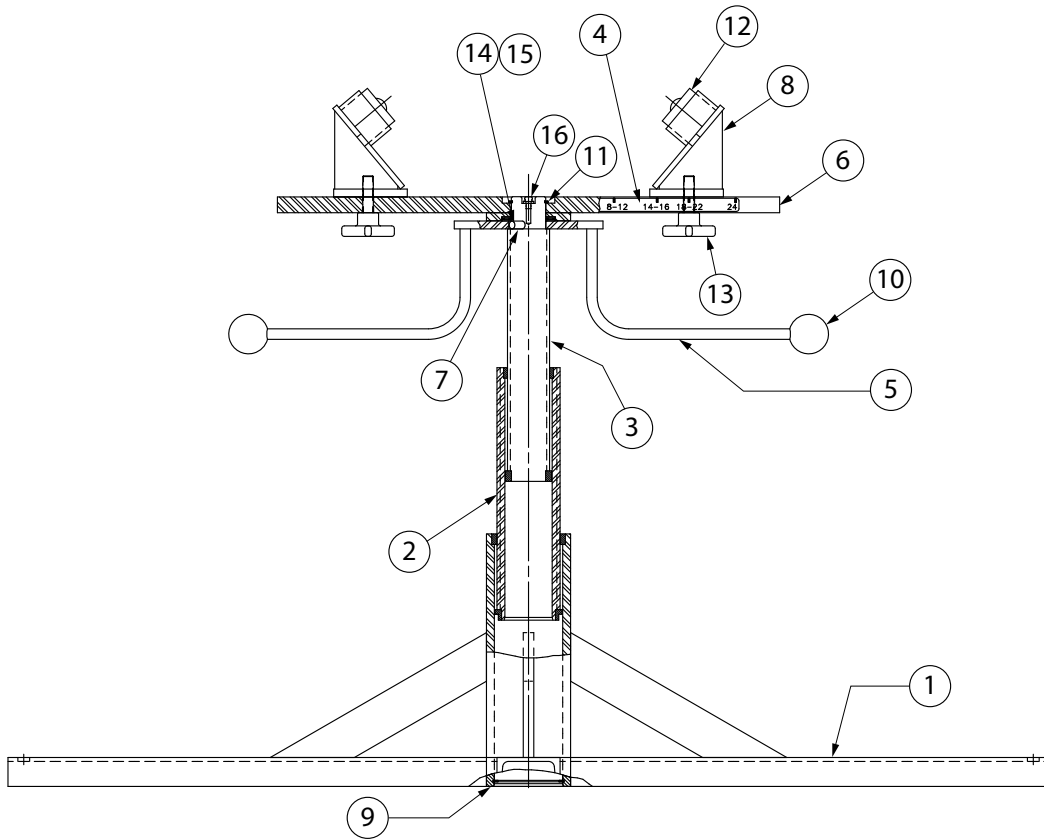
When ordering parts, the following information is necessary for Victaulic to process the order promptly:

1. Tool Model Number – VAPS224
2. Tool Serial Number – The Serial Number can be found on the side of the tool.
3. Quantity*, Item Number, Part Number, Description
4. Where to send the part(s) – Company Name and Address
5. To whose attention to send the part(s)
6. Purchase Order Number

Parts may be ordered from your nearest Victaulic Sales Office.

* Quantity given in **Qty.** column indicates total number of pieces required per tool. Value of "A/R" indicates "As Required" which may differ based on usage and environment.

VAPS224 MAIN ASSEMBLY



VAPS224 BODY COMPONENT ASSEMBLIES

MAIN COMPONENTS

Item #	Part #	Qty.	Description
01	R001224PNT	1	Base
02	R002224PLT	1	Intermediate Column
03	R003224PLT	1	Upper Column
04	R004224LAB	2	Size Adjustment Label
05	R005224PLT	1	Vertical Adjustment Handle
06	R101224PNT	1	Top Plate
07	NP01006012	1	Roll Pin, 3/8" x 3/4" Long
08	R008224PNT	2	Ball Transfer Support
09	NT03000011	1	Retaining Ring
10	NMSC000038	4	VAPS224 Ball Handle, Orange
12	NMSC000039	4	VAPS224 Ball Transfer
13	NMSC000040	4	VAPS224 Hand Knob Assembly, Orange
16	NM01000007	1	Grease Fitting, Straight, 1/4-28 Taper Thread
17	R513127LBL	1	Name Plate, Blank
18	R031272LAB	1	Warning Label

CENTER BEARING KIT


Item #	Part #	Qty.	Description
	R100224KIT	1	Center Bearing Kit
11	*	1	Retaining Ring
14	*	1	Thrust Bearing
15	*	2	Thrust Washer
16	*	1	Grease Fitting, Straight, 1/4-28 Taper Thread

* Included in assembly. Not available for individual sale.

VAPS224 Pipe Stand

IMAGES OF THE LABELS ON THIS PAGE ARE NOT TO SCALE.

R513127LBL



Victaulic Company World Headquarters
4901 Kesslersville Road
Easton, PA 18040
victaulic.com

MODEL

SERIAL NO.

DATE MFD.

Manufactured in China

13127 Rev. A R513127LBL

R031272LAB

WARNING



Failure to follow instructions and warnings could result in death, serious personal injury, property damage, and/or product damage.

- Before operating or servicing any tools, read the entire operating and maintenance instructions manual and all labels on the tool.
- Wear safety glasses, hardhat, foot protection, and hearing protection.
- Operate the tool only with a safety foot switch. If the tool does not contain a safety foot switch, contact Victaulic.

Contact Victaulic with questions regarding the safe and proper operation of tools:
Web: victaulic.com **E-Mail:** pickvic@victaulic.com **Phone:** 1-800-PICK-VIC

0567 Rev. E R031272LAB

R004224LAB

PIPE SIZE	2-3 ¹ / ₂	4-6	8-12	14-16	18-22	24
------------------	---------------------------------	-----	------	-------	-------	-----------

R004224LAB 2649 REV. C